



western
window systems

Classic Line



Live Better

For additional information, please contact:

Western Window Systems
2200 E. Riverview Dr.
Phoenix, AZ 85034
877-268-1300

westernwindowssystems.com

For sales inquiries, please visit:

westernwindowssystems.com/contact-us



Follow us on:

Facebook

www.facebook.com/WesternWindowSystems

YouTube

www.youtube.com/user/westernwindowssystems

Twitter

@WesternWS

Instagram

@western_window_systems

Houzz

www.houzz.com/pro/westernws

LinkedIn

www.linkedin.com/company/western-window-systems

About Western Window Systems

- 6 Welcome to Awesome
- 8 History
- 10 Live, Design, Build Better
- 12 Energy Efficiency

Sliding Door Systems

- 16 Series 600 Multi-Slide Door ■■■
- 22 Series 600 Sliding Glass Door ■■■
- 28 Series 2600 Aluminum-Clad Multi-Slide Wood Door ■■■

Folding Door Systems

- 36 Series 9500 Bi-Fold Door ■■■

Hinged and Pivot Doors

- 42 Series 900 Hinged Door ■■■
- 46 Series 980 Pivot Door ■■■

Windows

- 50 Series 600 Window Wall ■■■
- 54 Series 670 Hinged Window Line ■■■
- 60 Series 610/620 Single-Hung and Sliding Window ■■■

What You Can Expect

- 64 Support and Resources

Projects

- 66 Residential

Technical Specifications

- 88 Series 600 Multi-Slide Door ■■■
- 94 Series 600 Sliding Glass Door ■■■
- 96 Series 2600 Aluminum-Clad Multi-Slide Door ■■■
- 102 Series 9500 Bi-Fold Door ■■■
- 106 Series 900 Hinged Door ■■■
- 108 Series 980 Pivot Door ■■■
- 110 Series 600 Window Wall ■■■
- 112 Series 670 Hinged Window Line ■■■
- 114 Series 610/620 Window Line ■■■
- 117 Divided Lite Options
- 118 Infographic: Classic & Performance Families
- 120 Aluminum Frame Finishes



THE PGT INNOVATIONS FAMILY OF BRANDS





Welcome to Awesome

Western Window Systems started in a warehouse in Phoenix with just a handful of employees. Flash-forward to today and our head count has grown to nearly 400 talented individuals passionate about helping millions of people live better by making the best doors and windows on the planet. Our new facility, completed in 2017 and located just up the street from our first home, was designed to foster that passion and reflect who we are.



Our Values: Excellence, Innovation & Partnership

In every aspect of our business we strive to excel, approaching every challenge with courage, honesty, and a determination to succeed. We take pride in what we do and work together to achieve outstanding results.

By challenging stereotypes and existing norms, we create unique products and solutions that delight our customers. We dare to take risks. We promote collaboration across teams and with our external partners to allow us to innovate in ways others cannot.

We believe in treating others the way we wish to be treated. By being respectful of others, we maintain a high level of professionalism and encourage openness to new ideas. We believe in giving back whenever we can and strive to make the world a better place.

Western Volunteers

Here at Western Window Systems, we're passionate about giving back to the community. Since we started Western Volunteers, our volunteer program for employees and their families, we've hand-packed over 20,000 meals for malnourished kids, helped to feed over 600 needy families, and donated our foosball table to the local Boys & Girls Club.





What Makes Us Great

Western Window Systems is focused on helping people live better through remarkably beautiful moving glass walls and windows that blend the indoors with the outside. Powered by an ambitious business model, proprietary technology, and some of the most amazing people on the planet, we're in a position to challenge norms and inspire new thinking. By giving people access to products that remove boundaries and expand space, we're revolutionizing the way people live — and changing construction in the process.

Our Vision

What fuels our passion to be the best? A single vision statement: Have fun creating a winning company that changes construction and helps our partners live better. This vision serves as an inspiration for everything we do.

Smarter Manufacturing

Western Window Systems is recognized industry-wide for the innovation and quality of its products and the relationships it forges with its employees, dealer partners, architects, homebuilders, and homeowners. It's all born of the company's vision statement, which dictates everything we do: Have fun creating a winning company that changes construction and helps our partners live better.

Headquartered in Phoenix, we use superior materials in our revolutionary, award-winning sliding door and window systems, which give our customers almost infinite design possibilities. As passionate as we are about our company's core values of innovation, excellence, and partnership, we are equally committed to providing customer satisfaction at every level of the construction process.





Living Better, Designing Better, and Building Better Begin with Western Window Systems

Enjoying the benefits of a home that brings the indoors and outdoors together. Designing with the kind of customization that ensures your vision comes to life. Building a project that differentiates and adds value for homebuyers. These are reasons enough to choose Western Window Systems. But they're really just the beginning of the ways our large sliding and folding glass doors and windows can meet your needs beautifully time after time.

Designed for Indoor-Outdoor Living

Western Window Systems' large moving walls of glass are more than just entryways; they're centerpieces for indoor-outdoor living. Seamlessly merging the indoors with the outside, they transform space by expanding living areas, maximizing views, and letting in loads of natural light and fresh air. The result: a new kind of gathering space that lets you entertain, relax, and live better than ever.



Originality in Every Project

Whatever your taste in home styles or building designs, you'll find limitless expression with Western Window Systems. Choose a sliding door that neatly tucks away into a pocket, a folding door that creates a grand entrance from corner to corner, or a 90-degree style that completely opens up a room. Further customize your door with sill options, handles, and finishes. Given the infinite ways Western Window Systems products let you express your originality, it's no wonder they are an architectural element in so many projects.

Built and Tested to Last

Western Window Systems products are designed to withstand not only the elements but also the test of time. Strong and durable, they undergo rigorous testing before getting certified by the National Fenestration Rating Council (NFRC) and the American Architectural Manufacturers Association (AAMA) for use in the United States and Canada.

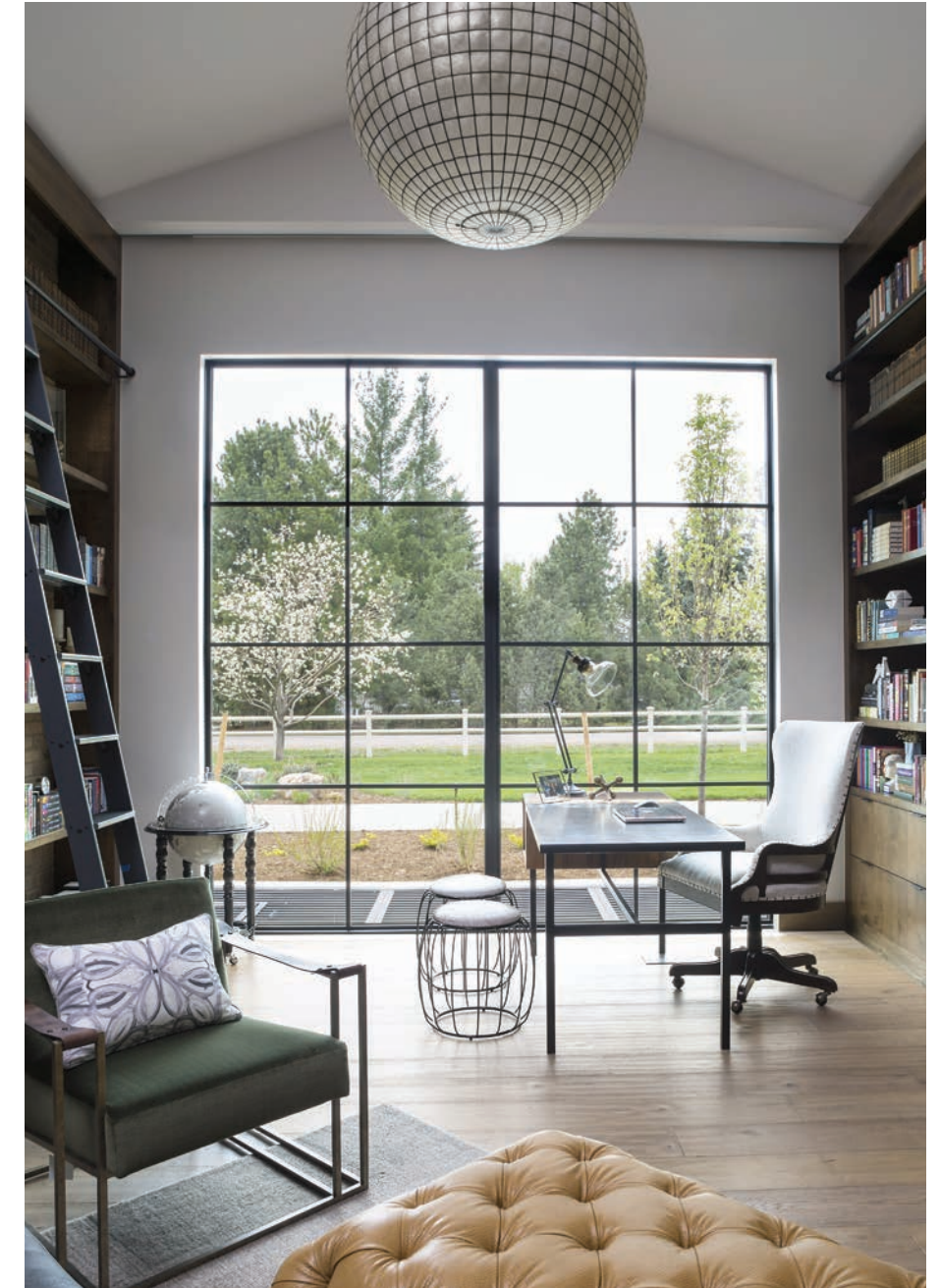


Committed to a Better World

At Western Window Systems, our dedication to high-quality doors and windows extends to energy efficiency and sustainability. When we manufacture our products, we utilize materials that effectively increase energy performance. And because we build them to last, they stay out of landfills longer. Best of all, because our products are completely customizable, you can select or combine options that meet your project's performance requirements.

Energy Efficiency

From the seals that help control moisture and minimize air leakage to the dual-pane, triple-coated low-E glass that reduces heating and cooling costs, every Western Window Systems product is designed with energy efficiency in mind. For additional savings, many of our door systems and windows are available with the option of thermally broken aluminum, which features an insulating barrier that increases energy performance.



Sustainability

Western Window Systems products are made with aluminum, a highly recyclable material. We recycle our aluminum as well as materials such as vinyl, cardboard, and paper. Our wood panels are certified by the FSC (Forest Stewardship Council), a group that ensures products are made with, or contain, wood from FSC-certified forests.

A modern bedroom with a red bedspread and a large glass balcony overlooking a forest. The balcony has a white lounge chair and a railing. The room has a dark ceiling and large windows.

Sliding Door Systems

"They have an innate understanding and appreciation for modern design — paying attention to details like clean and thinner profiles that many architects are drawn to."

– Jimmy Sullivan, owner, CitiZen Design Studio

Design Better



Series 600 Multi-Slide Door

Series 600 Multi-Slide Door

A choice of builders for over two decades, Western Window Systems' Series 600 Multi-Slide Door merges seamlessly into its surroundings. It features large, unobstructed rolling glass panels that stack or slide into pockets for extra-wide openings that expand living space. There's even a 90-degree option that completely opens up the sides of a room by eliminating a connecting post.



Clean Design

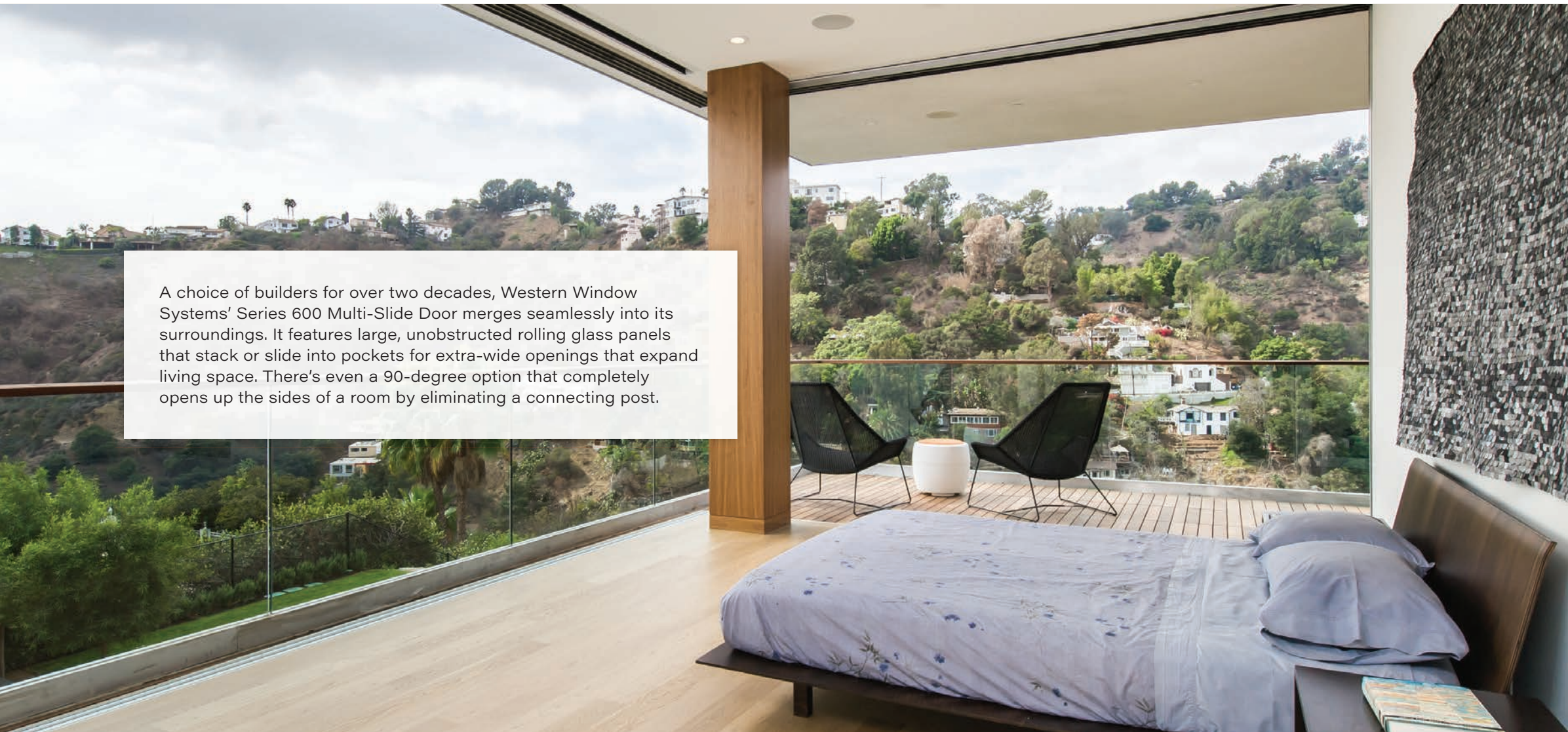
Designed to seamlessly blend into nearly any space, the Series 600 features a 2.55" interlock stile, wide panels, and modern details that allow for more light and glass.

Climate Ready Glass

Our dual-pane low-E glass can be customized in a variety of types, colors, and thicknesses for improved privacy, protection, and thermal efficiency.

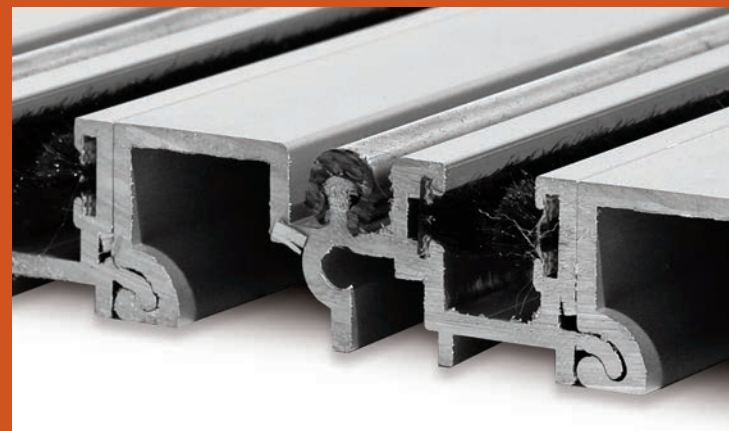
Configurations and Sizes

The Series 600 Multi-Slide Door is available in nearly any configuration, with panels up to 12 feet tall (maximum 70 square feet). For complete flexibility, it can be designed to do things like go around curves, bypass obstacles, and bi-part in the center. Nearly any shape is possible, including open corners.



Concealed Locking System

The Series 600 includes a hidden stainless steel multi-point lock to secure its large sliding panels, providing additional strength and protection. A keyed cylinder option is available.



Smooth Operation

Sealed stainless steel ball bearing rollers make our multi-slide doors easy to operate. An interlocking track design provides structural integrity and makes it possible to span wide openings with almost any number of panels.



Classic or Thermally Broken Aluminum

Classic aluminum provides effortless operation, versatility, and a clean aesthetic. Our thermally broken option provides the same functionality, but with an insulating barrier that increases energy performance in colder climates.



Heavy Duty Hardware

Rolling hardware includes two options: a standard 1.81" size and our 3" Monster Roller, capable of handling more than twice the weight of the largest panel.

Options: Series 600 Multi-Slide Door



Multi-Slide Window

Featuring the same rolling glass panels that stack or slide into pockets as our multi-slide door, the Series 600 Multi-Slide Window is a head-turning alternative to a standard opening. Perfect for large, long areas where people congregate, these moving walls of glass frame beautiful views and let in loads of fresh air and natural light.

Screen

Our aluminum frame panel screen integrates seamlessly with our sliding glass doors while providing optimal ventilation and protection from outside pests.

System Automation

All Western Window Systems multi-slide doors are designed with automation in mind. All automation systems are designed, purchased, and installed by third parties. Contact us to find one near you.

Finishes

Aluminum finishes are available in-stock, as designer selections, and can be customized to match nearly any color. For approximate finish options, see page 120. For exact paint swatch samples, contact us.



Water Barrier Sill

The water barrier sill's 1.5" interior leg and weep-hole system safeguards against water intrusion. For additional protection, the back leg of each sliding panel penetrates the track to keep out dust and debris.



Flush Sill

When ease of entry is more important than performance against the elements, our flush sill is the perfect choice. With an interior and exterior sill height of just 0.75", it lines up with most interior flooring for a smooth transition to the outside. Weep holes in the track allow water to drain away from the door while the back leg of each sliding panel discourages dust and debris.



Thinline Sill

The ability of our signature thinline sill to hide almost completely makes it ideal for projects in which a continuation of flooring from the inside to the outdoors needs to appear virtually seamless. Staggered tracks expose a slim channel on which the panels roll, with the finished floor installed between them.

Note: Thinline and flush sills may be less effective at preventing water penetration than the water barrier sill and therefore may not be appropriate in all climates, conditions, and exposures.



Flush-Mounted Handle

The standard choice for all Western Window Systems multi-slide doors, the flush-mounted handle's clean, narrow design allows panels to easily slide past each other or into a pocket. An optional keyed cylinder allows the door to be unlocked from the exterior. Finish choices are available in brushed nickel or black.



Premium Handle

Our optional premium handle features a minimal one-piece design, comfortable grip, and the option of a keyed cylinder that allows the door to be unlocked from the exterior. Finish is available in brushed nickel or black. The premium handle is not available on pocketing multi-slide door systems.



Series 600 Sliding Glass Door

Series 600 Sliding Glass Door

A Western Window Systems Series 600 Sliding Glass Door is a just-about-anywhere sliding glass door. Wide glass panels effortlessly open to join a master bedroom with a private pool, a living area with a sprawling patio, or a kitchen with a backyard garden. Even a seamless transition between interior rooms is possible. Built to last, our sliding glass doors fit in easily with the way you live.

Clean Design

The Series 600 Sliding Glass Door features a 2.55" interlock stile.

Climate Ready Glass

Our dual-pane low-E glass is available in a variety of types, colors, and thicknesses for enhanced privacy, protection, and thermal efficiency.

Configurations and Sizes

The Series 600 Sliding Glass Door is available in nearly any configuration, with panels up to 72" wide and 144" tall (maximum 60 square feet). Sliding glass doors can also bi-part in the center.

Concealed Locking System

The Series 600 includes a hidden stainless steel multi-point lock to secure its large sliding panels, providing additional strength and protection. A keyed cylinder option is available.

Smooth Operation

Sealed stainless steel ball bearing rollers make our sliding glass door easy to operate. Rolling hardware includes two options: a standard 1.81" size and our 3" Monster Roller, capable of handling more than twice the weight of the largest panel.

Classic or Thermally Broken Aluminum

Classic aluminum provides effortless operation, versatility, and a clean aesthetic. Our thermally broken option provides the same functionality, but with an insulating barrier that increases energy performance in colder climates.

Options: Series 600 Sliding Glass Door



1.5" Sill

Standard on the Series 600 Sliding Glass Door, the 1.5" sill's interior leg and sloped profile provides a water barrier and meets the commercial specifications of the American Architectural Manufacturers Association (AAMA). Finished to match the color of the frame.

1.75" Sill

For increased effectiveness against the elements, the 1.75" sill features a higher interior leg and a performance rating of HC40 from the American Architectural Manufacturers Association (AAMA). Finished to match the color of the frame. Not available in thermally broken aluminum.

Screen

Our aluminum frame panel screen integrates seamlessly with our sliding glass doors while providing optimum ventilation and protection from outdoor pests.

Finishes

Aluminum finishes are available in-stock, as designer selections, and can be customized to match nearly any color. For approximate finish options, see page 120. For exact paint swatch samples, contact us.



Contemporary Handle*

Our optional contemporary handle features a minimal one-piece design, comfortable grip, and the option of a keyed cylinder that allows the door to be unlocked from the exterior. Finish choices are available in brushed nickel or black.

*Screen not available with contemporary handle option.



Flush-Mounted Handle

The flush-mounted handle is designed to integrate into the panel for a clean aesthetic. An optional keyed cylinder allows the door to be unlocked from the outside. Finish is available in brushed nickel or black.



Premium Handle

Our optional premium handle features a minimal one-piece design, comfortable grip, and the option of a keyed cylinder that allows the door to be unlocked from the exterior. Finish choices are brushed nickel or black.



Series 2600 Aluminum-Clad Multi-Slide Wood Door

"It's an overall feeling that you can take a wall, open it, and the whole outside becomes part of the inside."

– Rick Salter, builder and dealer



Clean Design

The Series 2600 includes your choice of a 3.62" or 5" interlock stile profile and bottom rails available in 3.62", 5", and 8" dimensions. Wood panels are built from strong LVL (laminated veneered lumber) cores that include a stain-grade wood veneer on the interior, allowing you to stain or paint the wood as you see fit.

Heavy Duty Hardware

Rolling hardware includes two options: a standard 2.12" size and our 3" Monster Roller, capable of handling more than twice the weight of the largest panel.

Concealed Locking System

The Series 2600 includes a hidden stainless steel multi-point lock to secure its large sliding panels. A keyed cylinder option is available.

Smooth Operation

Sealed stainless steel ball bearing rollers make our multi-slide doors easy to operate. An interlocking track design provides structural integrity and makes it possible to span wide openings with almost any number of panels.

Climate Ready Glass

Our dual-pane low-E glass can be customized in numerous types, colors, and thicknesses for more privacy, protection, and thermal efficiency.

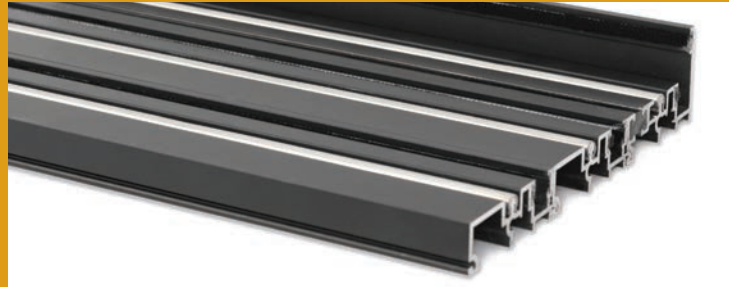
Designed and Tested for Durability

Manufactured for strength and built to last, the Series 2600 features extruded aluminum cladding on the exterior and wood panels made from strong, FSC-certified woods.

Configurations and Sizes

The Series 2600 Multi-Slide Door is available in any configuration, with panels up to 84" wide and 144" tall (maximum 60 square feet). For additional flexibility, it can be designed to meet at a 90-degree angle to open up the sides and corner of a room or, for projects with limited side space, bi-part at the center.

Western Window Systems' Series 2600 Aluminum-Clad Multi-Slide Wood Door features the best of two worlds. Inside: the beauty and warmth of wood, with durable panels that can be stained or painted to fit any style of project. Outside: low-maintenance, durable aluminum – painted or anodized – to complement an endless array of exterior color schemes. It's indoor-outdoor living your way, inside and out.



Water Barrier Sill

The water barrier sill's 1.5" interior leg and weep-hole system safeguards against water intrusion. For additional protection, the back leg of each sliding panel penetrates the track to keep out dust and debris. Available only in black.



Flush Sill

When ease of entry is more important than performance against the elements, our flush sill is the perfect choice. With an interior and exterior sill height of just 0.75", it lines up with most interior flooring for a smooth transition to the outside. Weep holes in the track allow water to drain away from the door while the back leg of each sliding panel discourages dust and debris by penetrating the track. Available only in black.



Thinline Sill

The ability of our signature thinline sill to virtually disappear makes it perfect for projects in which a continuation of flooring from the inside to the outdoors needs to be seamless. Staggered tracks expose a slim channel on which the panels roll, with the finished floor installed between them.

Note: Thinline and flush sills may be less effective at preventing water penetration than the water barrier sill and therefore may not be appropriate in all climates, conditions, and exposures.



Flush-Mounted Handle

The standard choice for all Western Window Systems multi-slide doors, the flush-mounted handle's clean, narrow design allows panels to easily slide past each other or into a pocket. An optional keyed cylinder allows the door to be unlocked from the outside. Choices of finish are brushed nickel or black.

System Automation

All Western Window Systems multi-slide doors are designed with automation in mind. Third parties handle the design, purchase, and installation of all automation systems. Contact us to find one near you.

Screen

Our aluminum frame panel screen integrates seamlessly with our sliding glass doors while providing optimal ventilation and protection from outside pests.

Aluminum Finishes

Aluminum finishes are available in-stock, as designer selections, and can be customized to match nearly any color. For approximate finish options, see page 120. For exact paint swatch samples, contact us.

Panel Styles

Panels can be 1.75" or 2.25" thick and are available in two styles: traditional and contemporary. Perfect for when you need to match classic wood windows or doors, traditional panels feature a beveled glazing leg and interior wood stops, and they offer 1.125" and 0.875" simulated divided lite options. For a more updated look, the contemporary panel's clean lines include a straight glazing leg and a square wood stop. Simulated divided lite options of 1.5" and 0.875" are also minimal in design.

Woodgrain Finishes

Our LVL (laminated veneered lumber) cores include a stain-grade wood veneer on the interior that allows staining or painting as you wish. The standard interior finish is stain-grade pine with an option for vertical grain fir. Custom wood species are available.



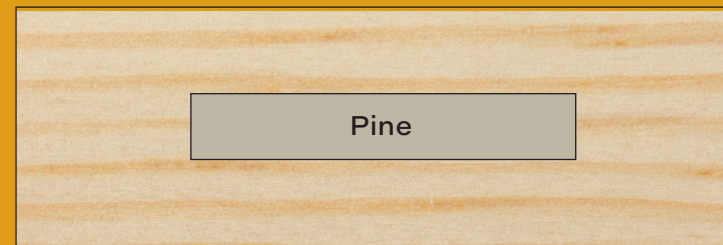
Anigre



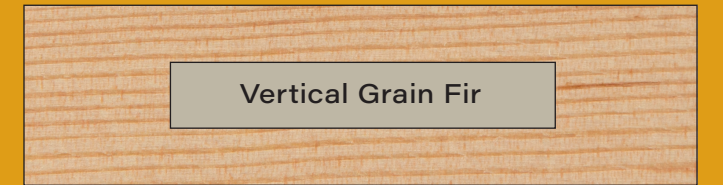
Maple



Sapele



Pine



Vertical Grain Fir



Cherry



Red Oak



Walnut



White Oak

A photograph of a modern outdoor kitchen at night. The kitchen features a wooden countertop with a sink and a curved faucet. Above the counter is a backsplash of small, square mosaic tiles. The kitchen is illuminated by warm, yellow lights. A large, multi-paned folding glass door is open, revealing the interior. The door is set against a dark blue horizontal siding wall. Above the door, there are several light blue fabric awnings hanging from a metal track. The outdoor area is paved with large, light-colored tiles. In the foreground, there are several potted plants in various containers. The overall atmosphere is warm and inviting.

Folding Door Systems

Design Better

Series 9500 Bi-Fold Door



The ability of Western Window Systems' Series 9500 Bi-Fold Door to completely open up to the outdoors is what makes it so unique. Designed to smoothly stack and fold against side walls, it creates a huge opening from corner to corner, connecting the indoors with the outside and expanding living space. Need everyday access? Opt for a convenient single door.



Concealed Locking System

The Series 9500 includes a hidden stainless steel multi-point lock to secure its large sliding panels, providing additional strength and protection. A keyed cylinder option is available.

Clean Design

The Series 9500's contemporary look includes a 2.25" x 3.5" stile for additional glass and light, and a frame and sill depth of 4.5", allowing it to integrate into nearly any wall condition.

Thermally Broken Aluminum

Thermally broken aluminum provides an insulating barrier that increases energy performance.

Climate Ready Glass

Our dual-pane low-E glass can be customized in a number of types and colors for improved privacy, protection, and thermal efficiency.

Smooth Operation

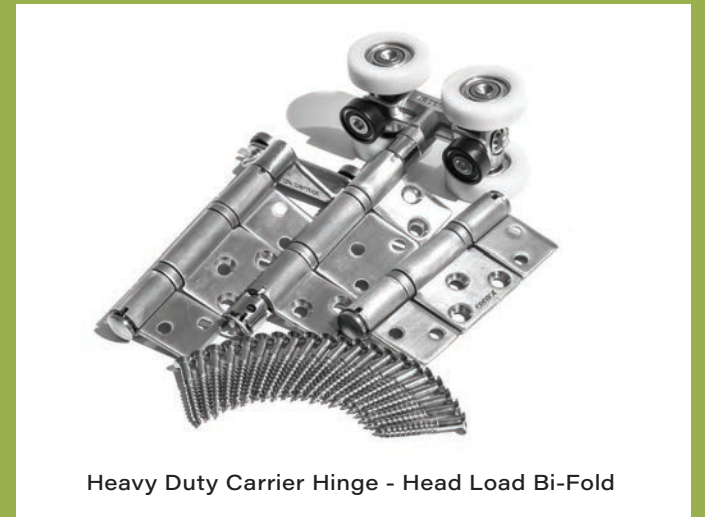
Sealed stainless steel ball bearing rollers make our bi-fold door easy to operate.

Configurations and Sizes

The Series 9500 Bi-Fold Door System is available in a multitude of configurations, with panels up to 42" wide and 12' tall (not to exceed 264 pounds per panel). Sixteen-panel maximum, eight in each direction. For additional flexibility, the Series 9500 can be specified to swing inward or outward.



Carrier Hinge - Bottom Load Bi-Fold



Heavy Duty Carrier Hinge - Head Load Bi-Fold

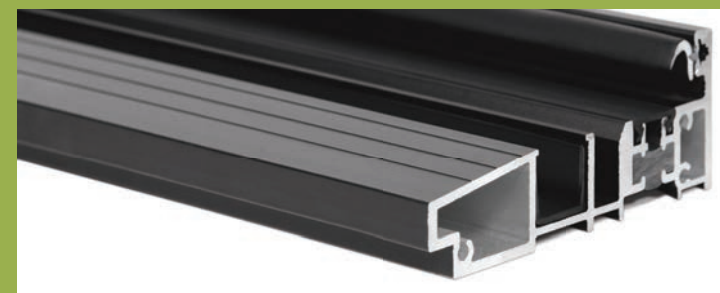


Carrier Hinge - Head Load Bi-Fold

Heavy Duty Hardware

Our stainless steel head load carriers and hinges are capable of handling panels weighing up to 264 pounds. Bottom load carriers and hinges can accommodate door panels weighing up to 176 pounds.

Options: Series 9500 Bi-Fold Door



Top-Hung Water Barrier Sill

The water barrier sill safeguards against water intrusion while providing a tight seal. In top-hung bi-fold doors, where the weight is concentrated in the heads, the interior leg is 1.82". Thresholds are finished to match the frame color.



Top-Hung Flush Sill

When ease of entry is more important than climate performance, the flush sill can line up with most interior flooring for a smooth transition to the outdoors. Top-hung bi-fold doors feature an interior threshold height of 1.07". Thresholds are finished to match the color of the frame.

Note: The flush sill may be less effective at preventing water penetration than the water barrier sill and therefore may not be appropriate in all climates, conditions, and exposures.



D-Pull Handle - Inactive Lock Handle



Dallas Handle

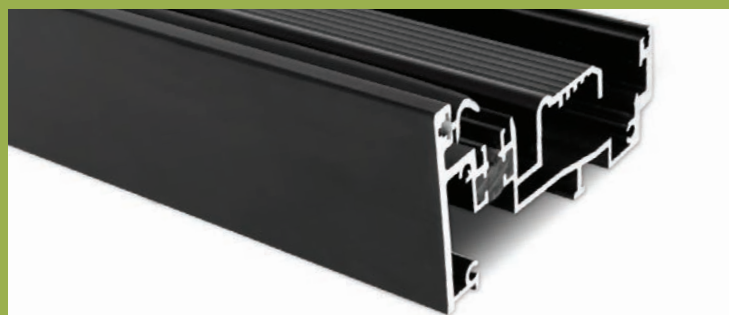
High-Quality Handles

Designed for durability and comfort, each of our bi-fold doors features three high-quality, contemporary-looking handles. The Dallas handle, located on all active panels, includes an optional key lock. A D-shaped pull handle at the bi-fold's pivot points further aids in opening and closing the door. And an inactive lock handle at the door's pivot points secures the door panels with steel pins at the head and sill.

Dallas and inactive lock handles are available in brushed nickel or black. The D-shaped pull handle is available in stainless steel or black.

Finishes

Aluminum finishes are available in-stock, as designer selections, and can be customized to match nearly any color. For approximate finish options, see page 120. For exact paint swatch samples, contact us.



Bottom-Load Water Barrier Sill

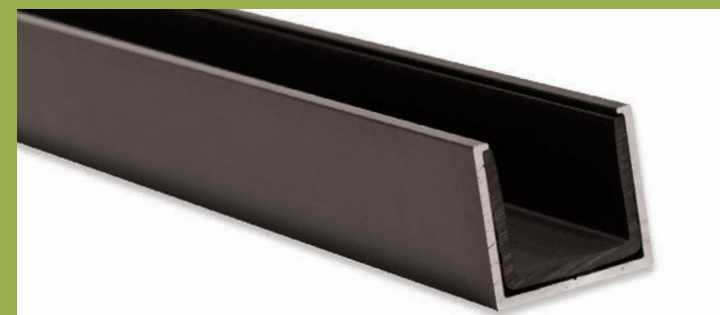
The water barrier sill safeguards against water intrusion while providing a tight seal. For bottom-loading bi-fold doors, where the bottom of the door carries the majority of the weight, the interior leg is 2.51". Thresholds are finished to match the color of the frame.



Bottom-Load Flush Sill

When ease of entry is more important than climate performance, the flush sill can line up with most interior flooring for a smooth transition to the outdoors. On bottom-loading bi-folds, the interior threshold height is 1.76". Thresholds are finished to match the color of the frame.

Note: The flush sill may be less effective at preventing water penetration than the water barrier sill and therefore may not be appropriate in all climates, conditions, and exposures.



U Track

For top-hung bi-fold doors intended for interior use only, the U track allows for a flush transition from room to room and is offered in a dark bronze finish.

Note: The U track is less effective at preventing water penetration than other sill options and therefore is not intended for exterior use.

Hinged Doors

Design Better



Series 900 Hinged Door

A true triumph of versatility, our Series 900 Hinged Door excels in both residential and commercial applications. Featuring wide glass panels that maximize views and let in light, it's perfect for creating an impressive main entrance, allowing a smooth transition from room to room, or connecting the indoors with the outside via a patio, deck, or balcony. For further customization, the Series 900 can be combined with our window selections.

Smooth Operation

A continuous hinge, strong enough to support panels as wide as 5' and finished to match the frame color, keeps the Series 900 operating smoothly for years to come. An optional concealed overhead closure and secondary lock ensure that door is self-closing.

Thermally Broken Aluminum

The Series 900 Hinged Door is manufactured with thermally broken aluminum, which provides an insulating barrier that increases energy performance.

Climate Ready Glass

Our dual-pane low-E glass can be customized in several types, colors, and thicknesses for enhanced privacy, protection, and thermal efficiency.

Heavy Duty Hardware

On doors over 96" tall, roller catches are utilized to help pull the door in tight. Have your own custom hardware in mind? Contact a representative.

Built to Last

The top and bottom rails of the Series 900 Hinged Door nest with the stiles to eliminate sunlight at the corners. Each corner is secured with a tie rod for a permanent, rigid connection. On hinged door pairs, the passive panel features continuous weatherstripping for additional protection.

Configurations and Sizes

The Series 900 thermally broken hinged door is available as single leaf with medium stile up to a size of 45" x 121.5"; a single leaf with narrow stile up to 39" x 109.5"; a hinged pair with medium stile up to 87" x 121.5"; and a hinged pair leaf up to 75" x 109.5". Available in single or double inswing and outswing configurations. For even more design flexibility, it can be partnered with any of our window styles.



Options: Series 900 Hinged Door



Single-Point Lock

When the added protection of a multi-point lock isn't necessary, the single-point lock secures the door in one place. Available only with the premium handle.



Multi-Point Lock

Lever-activated, the multi-point lock provides additional vertical strength and security through several locking points in the jamb or inactive stile.

Premium Handle

Our premium handle features a minimal one-piece design and comfortable grip. Finish choices are available in brushed nickel or black. Available only with the 4.71" and 3.15" stile.

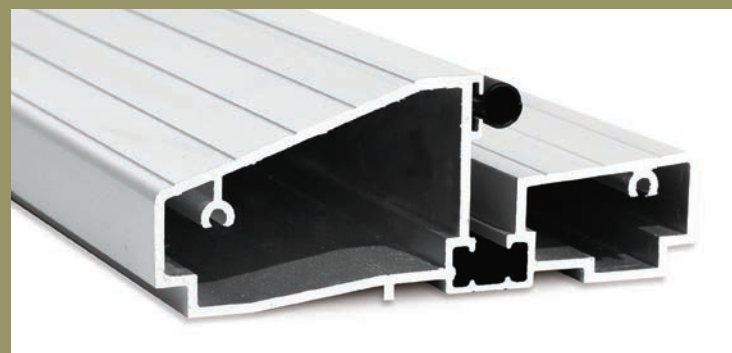
Finishes

Aluminum finishes are available in-stock, as designer selections, and can be customized to match nearly any color. For approximate finish options, see page 120. For exact paint swatch samples, contact us.



Type C Lock

Our standard deadbolt lock, the heavy-duty Type C features a 1.12" backset on narrow-stile doors and a 1.5" backset on medium-stile doors.



Standard Threshold

Ideal for residential applications, the standard threshold is 4.5" wide and features a 1" exterior step (1.68" for inswing doors) that protects against water penetration and allows full perimeter weatherstripping on outswing doors, reducing air infiltration. Inswing doors are equipped with a weatherstrip assembly mounted to the bottom of the door that sweeps against the threshold. Finished to match the color of the frame.

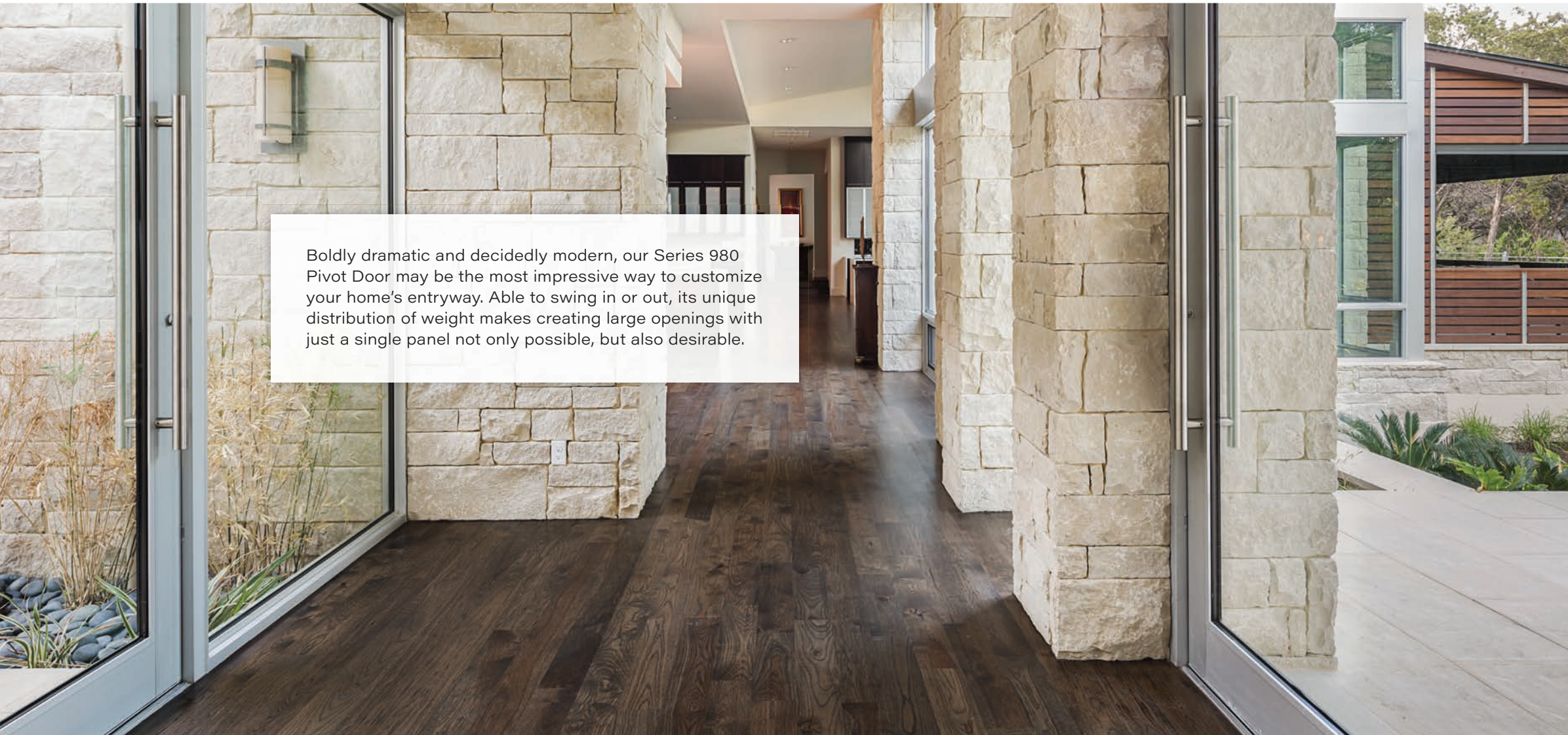


Commercial Threshold

The Series 900 Hinged Door utilizes a low-profile commercial threshold that favors ease of entry over protection from the elements. Available in satin and bronze anodized finishes. Capable of meeting ADA (Americans with Disabilities Act) requirements.

Note: The commercial threshold may be less effective at preventing water penetration than the standard threshold and therefore may not be appropriate in all climates, conditions, and exposures.

Series 980 Pivot Door



Boldly dramatic and decidedly modern, our Series 980 Pivot Door may be the most impressive way to customize your home's entryway. Able to swing in or out, its unique distribution of weight makes creating large openings with just a single panel not only possible, but also desirable.



Clean Design

Large glass and a minimal frame allow for more light and a modern style. For commercial use, a 4.5" frame depth is comparable to that of typical storefront systems.

Durability

Built to last, our pivot doors are designed with secured corners and top and bottom rails that nest with the stiles for a permanent, rigid connection.

Climate Ready Glass

Our dual-pane low-E glass can be customized in a variety of types, colors, and thicknesses for improved privacy, protection, and thermal efficiency.

Configurations and Sizes

The Series 980 Pivot Door can swing in or out, and is available in stile widths of 4.71" (with panels up to 63.75" wide and 122.75" tall). For even more design flexibility, it can be partnered with any of our window styles.

Finishes

Aluminum finishes are available in-stock, as designer selections, and can be customized to match nearly any color. For approximate finish options, see page 120. For exact paint swatch samples, contact us.



Commercial Threshold

The Series 980 Pivot Door utilizes a low-profile commercial threshold that favors ease of entry over protection from the elements. Available in satin and bronze anodized finishes. Capable of meeting ADA (American Disabilities Act) requirements.

Note: The commercial threshold may be less effective at preventing water penetration than the standard threshold and therefore may not be appropriate in all climates, conditions, and exposures.



Smooth Operation

Our custom pivot hardware supports the weight of the door on the bottom arm, creating less stress on the frame and allowing the door to swing smoothly and effortlessly. Even massive doors weighing up to 500 pounds open with ease. An optional concealed overhead closure and secondary lock ensure that door is self-closing.



Heavy Duty Hardware

Standard hardware includes the Type C lock (our standard deadbolt lock with a 1.5" backset), top and bottom roller catches to help pull the door in tight, and a 48" tall ladder-style pull handle available in a brushed stainless or black finish.

A modern, high-ceilinged living area with large glass windows, a stone fireplace, and contemporary furniture. The room features a large glass table with two clear plastic chairs in the foreground. In the background, there is a white sofa and a stone fireplace. The space is bright and airy, with sunlight streaming in through the windows. The floor is made of large, light-colored tiles. The walls are white, and there is a large stone pillar. The ceiling is high, and there are some decorative elements like a chandelier and a plant. The overall design is clean and minimalist.

Windows

Design Better

Series 600 Window Wall

What's in a name? Everything. The Series 600 Window Wall replaces exterior barriers with expanses of glass that let in light and frame beautiful views. Completely customizable, a limitless array of openings – from single-panel to door-size to openings that span an entire wall – allow you to create views from various sizes and shapes of glass. And because the Series 600 is designed to integrate with various ventilating window styles as well as our hinged and sliding doors, it's flexible as well as functional.



Seamless Integration

The Series 600 Window Wall's versatile 4.5" deep framing system allows our Series 900 Hinged Doors, Series 600 Sliding Glass Doors, and Series 670 hinged windows to directly mull to any combination of windows, creating a clean, smooth appearance.

Clean Design

The mulling process for the Series 600 Window Wall combines window frames while keeping sightlines narrow, resulting in a clean, contemporary look that can be replicated through an entire wall of glass.

Classic or Thermally Broken Aluminum

Classic aluminum provides effortless operation, versatility, and a clean aesthetic. Our thermally broken option provides the same functionality, but with an insulating barrier that increases energy performance in colder climates.

Configurations and Sizes

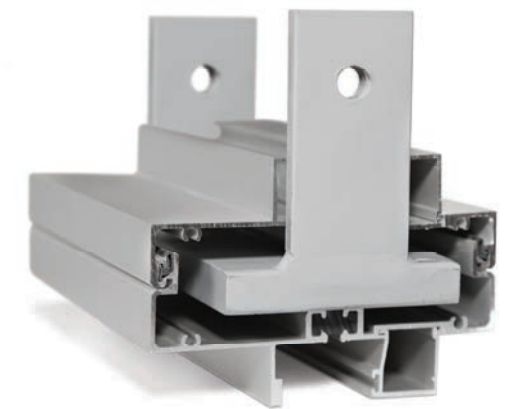
Featuring countless extrusion styles, the Series 600 Window Wall is available up to 70 square feet and can be designed to nearly any configuration. Standalone units are tested to DP50. For larger expanses, steel can be added when mulling for increased strength. Fixed windows can be built to nearly any geometric configuration, including arches, circles, and polygons. The Series 600 Window Wall is designed to integrate with various ventilating window styles as well as our hinged and sliding doors.

Climate Ready Glass

Our dual-pane low-E glass can be customized in a variety of types, colors, and thicknesses for improved privacy, protection, and thermal efficiency.

Tested for Durability

Fixed Series 600 windows mounted in the structure on all four sides achieve a performance grade of CW-PG50 at sizes up to 60" x 120." (CW-PG50 includes a design pressure of 50 pounds per square foot, the equivalent of 140 mph winds).



Steel Support

Steel support reinforces the cavity of the mull on its window walls with steel for additional strength, support, and wind resistance.

Options: Series 600 Window Wall



Even Sightlines

When mullered together, the Series 600 offers a narrow, 3" sightline from glass to glass for a more balanced and symmetrical appearance.

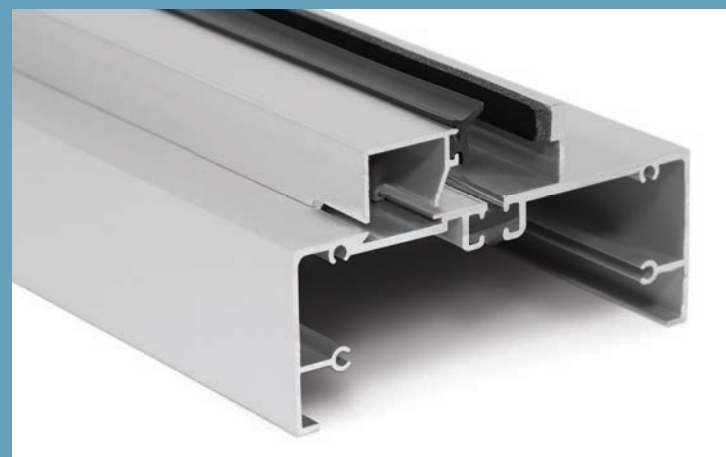
Finishes

Aluminum finishes are available in-stock, as designer selections, and can be customized to match nearly any color. For approximate finish options, see page 120. For exact paint swatch samples, contact us.



Standard Base Sill

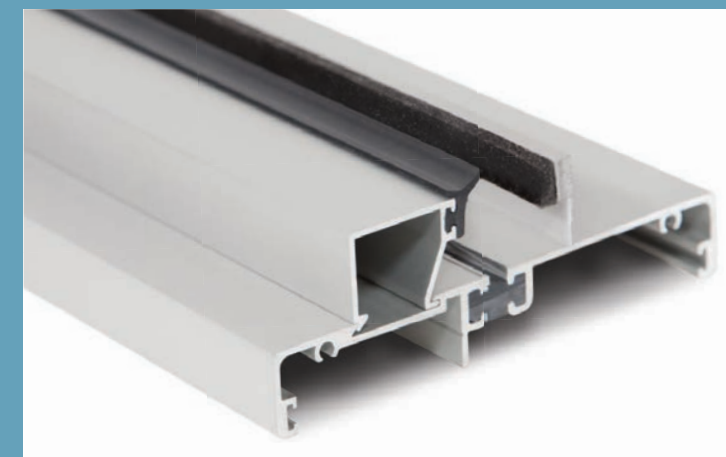
The standard base sill for the Series 600 Window Wall is 0.75" tall and is used around the perimeter of all Series 600 fixed windows.



High Base Sill

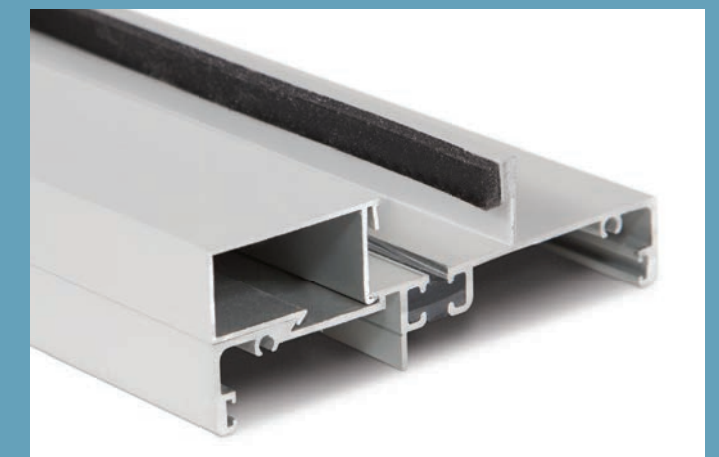
Perfect for fixed windows that will sit directly on a finished floor, the high base sill is 1.75" tall.

Note: For additional protection against the elements, the perimeter of the Series 600 Window Wall is available with an extruded nail fin located 1" from the exterior.



Standard Stop

The standard stop for the Series 600 Window Wall features a classic stepped profile with removable stops for re-glazes and weep holes at the base. Available in multiple dimensions, it can accommodate glass sizes from 0.25" to 1".

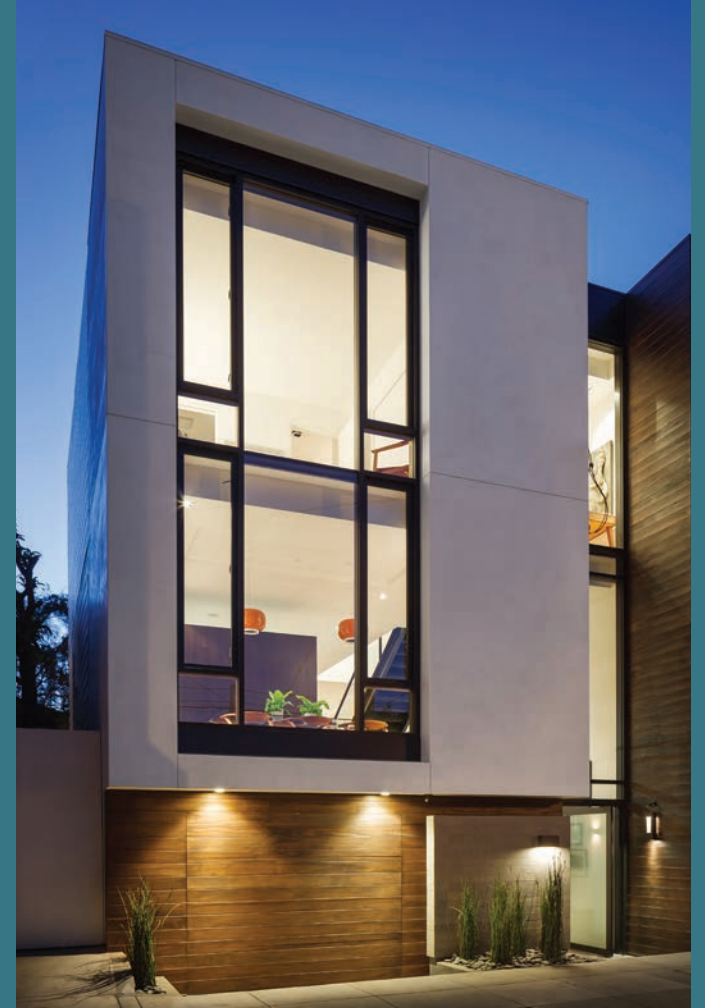


Flush Stop

Even with the exterior of the frame and with weep holes at the base, the flush stop provides the look of a typical storefront. Used exclusively in conjunction with 1" glass.

Series 670 Hinged Window Line

Western Window Systems' Series 670 hinged windows offer the variety, sizes, and performance features to enhance any type of home. Combining clean design and optimal performance, every style – casement, push-out casement, awning, and hopper – can be integrated with our hinged doors, sliding doors, and fixed window walls for maximum views and ventilation.



Clean Design

Designed with a 4.5" frame depth, the Series 670 can be directly mulled to most Western Window Systems products, including hinged doors, sliding doors, and fixed window walls.

Sloped Sill

For improved water drainage, each window style in the Series 670 line includes a sloped sill.

Thermally Broken Aluminum

Thermally broken aluminum provides an insulating barrier that increases energy performance.

Climate Ready Glass

Our dual-pane low-E glass can be customized in a variety of types, colors, and thicknesses for improved privacy, protection, and thermal efficiency.

Finishes

Aluminum finishes are available in-stock, as designer selections, and can be customized to match nearly any color. For approximate finish options, see page 120. For exact paint swatch samples, contact us.

Casement



The Series 670 Casement hinges on the side, swings outward to the left or right, and provides excellent ventilation. It is performance-rated at CW-PG40.

Smooth Operation

Butt hinges and a roto operator make for effortless opening and closing.

Window Heads

Western Window Systems offers a raked head window shape option for the Series 670 Casement.

Locking System

The Series 670 Casement features a hidden multi-point locking system.

Heavy Duty Hardware

For strength and smooth operation, Western Window Systems uses premium hardware for its windows. All fasteners are stainless steel.

Sizes

The Series 670 Casement is available in widths from 16" to 42" and heights from 16" to 120".

Screening

Manufactured from extruded aluminum for durability, screens employ an easy-to-use concealed ball catch system. Screen frames are finished to match the window's frame color. For casements, which swing out, screens are mounted to the interior.

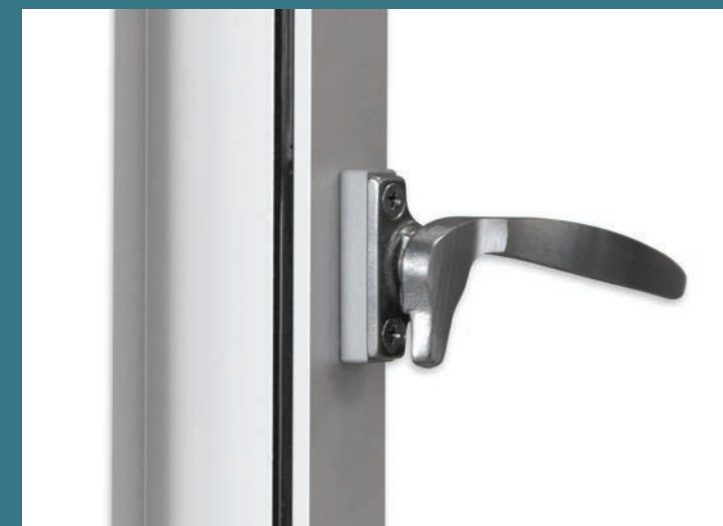


Roto Operator

Push-Out Casement



The Series 670 Push-Out Casement combines the traditional appeal of a push-out window with modern efficiencies. It opens easily with a turn of the handle and a light push. Screening not available.



Locking Handle

Smooth Operation

Stainless steel four-bar hinges with an adjustable tensioning device to keep the sash in place when open.

Locking System

The Series 670 Push-Out Casement features durable locking handles.

Heavy Duty Hardware

For strength and smooth operation, Western Window Systems uses stainless steel hardware for its windows. High-quality interior hardware is available in brushed nickel.

Sizes

The Series 670 Push-Out Casement is available in widths from 16" to 36" and heights from 16" to 72".



The Series 670 Awning Window hinges on the top, opens outward, and is typically wider than it is tall. It provides maximum natural light and ventilation to small areas, and it saves space by opening from the bottom.

Smooth Operation

For performance and control, the Series 670 Awning employs a double scissor-arm operator.

Screening

Series 670 screens are designed to provide protection from outside pests while complementing the window's clean, contemporary style. Manufactured from extruded aluminum for durability, the Series 670 screens employ an easy-to-use concealed ball catch system. Screen frames are finished to match the window's frame color.

Sizes

The Series 670 Awning is available in widths from 21" to 60" and heights from 16" to 48".

Push-Out Style

The Series 670 Awning also is available in a push-out style with cam lever handles. Screens are not available.

Locking System

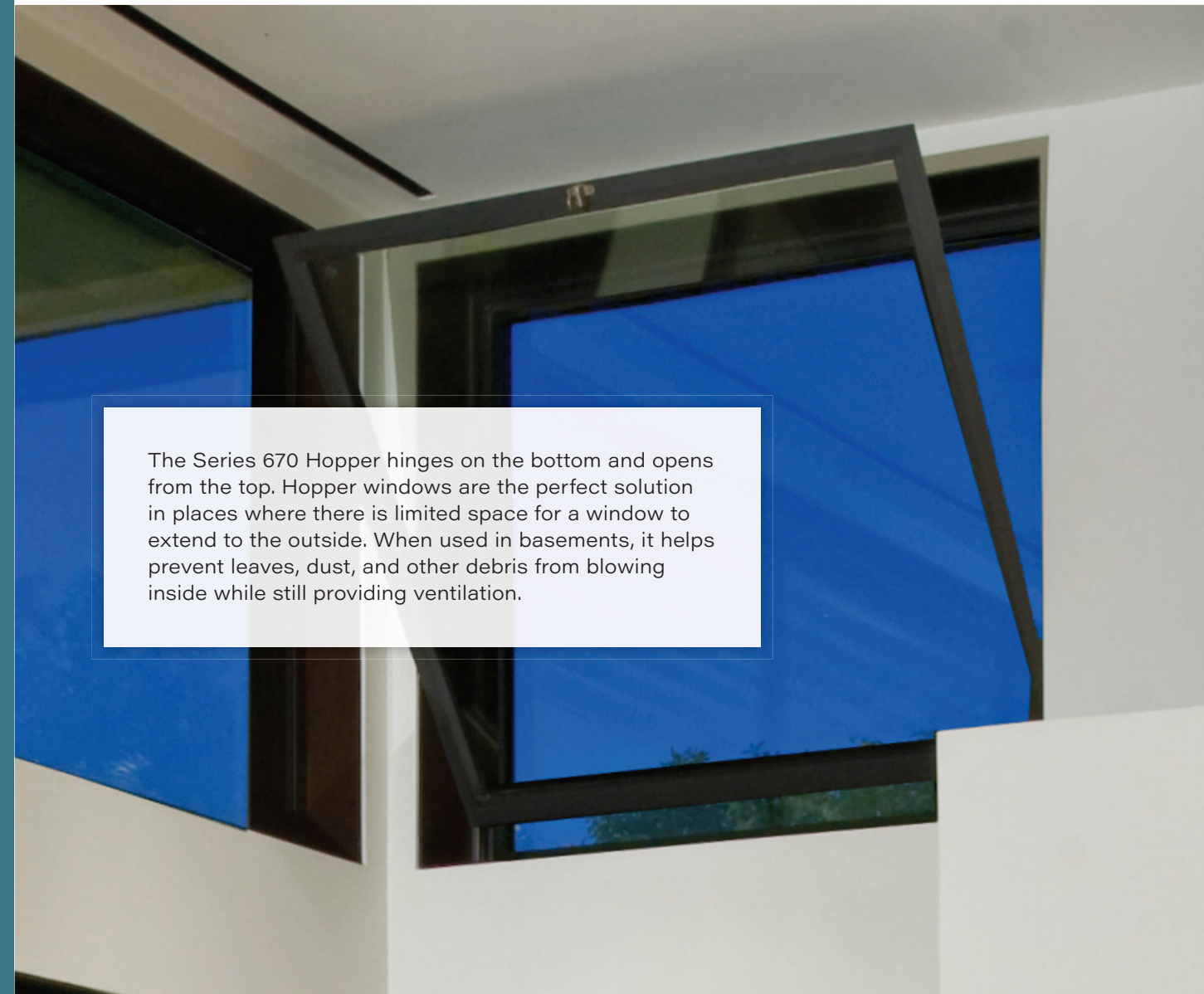
The Series 670 Awning features a hidden locking system.

Heavy Duty Hardware

For strength and smooth operation, Western Window Systems uses stainless steel hardware for its windows. High-quality interior hardware is available in brushed nickel or painted to match the frame finish.

Motorized Operators

For awning windows in hard-to-reach areas, Western Window Systems offers a motorized operator for ease of use.



The Series 670 Hopper hinges on the bottom and opens from the top. Hopper windows are the perfect solution in places where there is limited space for a window to extend to the outside. When used in basements, it helps prevent leaves, dust, and other debris from blowing inside while still providing ventilation.

Sizes

The Series 670 Hopper is available in widths from 16" to 60" and heights from 16" to 48".

Locking System

The Series 670 Hopper locks with a pawl handle or ring pull.

Finishes

Aluminum finishes are available in-stock, as designer selections, and can be customized to match nearly any color. For approximate finish options, see page 120. For exact paint swatch samples, contact us.

Screening

Series 670 screens are designed to provide protection from outside pests while complementing the window line's clean, contemporary style. Manufactured from extruded aluminum for durability, they employ an easy-to-use concealed clip system. Screen frames are finished to match the color of the window frame.

Heavy Duty Hardware

Depending on size and placement, the Series 670 Hopper is available with a pawl handle or ring-pull latch with an extension pole. High-quality interior hardware is brushed nickel.

Series 610 Single-Hung and 620 Sliding Window



With a design pressure (DP) rating tested for the commercial marketplace and the ability to be glazed on the inside for easy installation, our single-hung and sliding windows are perfect for projects from luxury hotels and resorts to office spaces and modern homes.

A thermally broken aluminum option makes the Series 610 and 620 energy efficient. And because each is designed to integrate with our large sliding glass doors and fixed windows, there are nearly infinite ways to customize.

Clean Design

Engineered for smooth operation, maximum ventilation, and a modern aesthetic, our single-hung and sliding windows are designed with premium hardware and a 4.5" frame depth.

Mulling Options

Both window styles can be directly mullied to most Western Window Systems product lines, including hinged doors, sliding doors, and fixed window walls. This male/female mulling feature is unique in aluminum fenestration products because it eliminates the need for operable inserts while maximizing glass and narrowing sight lines.

Locking System

A positive-acting T-lock engages an integrated strike in the frame's center bar. Available in black and brushed nickel finish.

Screening

Designed to provide protection from outside pests while complementing a clean, contemporary style, screens are included with all single-hung and sliding windows.

Tested for Durability

Because we build and test our windows to last, you can enjoy your Western Window Systems product for years to come. Each of our product families is tested for air, water, and structural performance and certified by the NFRC (National Fenestration Rating Council) and AAMA (American Architectural Manufacturers Association).

Climate Ready Glass

We use dual-pane low-E glass for better energy performance. Glass can be customized in a variety of types, colors, and thicknesses for improved privacy, protection, and thermal efficiency.



Series 610 Single-Hung Window

The Series 610 Single Hung Window features a top sash that is fixed and a bottom sash that moves up to open and let in fresh air. Sometimes referred to as a sash window, it's easy to operate, and its clean, contemporary look makes it ideal for any home style.

Spiral Balancers

The Series 610 is equipped with spiral balancers for better adjustability and smoother operation to control the sash in the open position.

Locking System

Window locks are T-latch and concealed with a slim cover. Available in black and brushed nickel finishes.

Sizes

Single-hung windows are available with a maximum vent size of 48" in width and 36" in height and with a frame height up to 96". Vent height is typically half the window height. Custom vent heights are available, but cannot exceed half the window height.



Series 620 Sliding Window

Offering a maximum view to the outdoors, the Series 620 Slider features two or three sashes aligned horizontally and sliding left or right. One sash slides open in a single slider. A double slider allows both sashes to open.

Sizes

A double sash option is available up to 96" in width and 72" in height. Triple-sash windows are also available.

Finishes

Aluminum finishes are available in-stock, as designer selections, and can be customized to match nearly any color. For approximate finish options, see page 120. For exact paint swatch samples, contact us.

Hardware

All fasteners on the sliding window are stainless steel. The roller is modeled after our popular multi-slide door.

Screening

Included with all single-hung and sliding windows, our screens are made of extruded aluminum for additional strength.

What You Can Expect



Live Better



Support as Exceptional as Our Products

Visit a Western Window Systems Dealer Near You

Like us, our dealers are driven by a mission to help people live better. Whether you need expert product advice or sales and installation services, they have the answers you need. Located in showrooms across North America, many with full-size displays of our products, our dealers are here to ensure that your experience with a Western Window Systems product exceeds your expectations. To find one near you, visit westernwindowssystems.com/contact-us.

Customer Care

From product guidance to pricing to technical assistance, our knowledgeable representatives are committed to answering your questions the way you want them answered – quickly and efficiently. Talk direct to a representative at our headquarters in Phoenix or connect with us online at westernwindowssystems.com/contact-us.

Shortened Lead Times

To help keep your project on time and on budget, we offer some of the shortest production lead times in the industry. Production lead times on every product we make are updated daily. To get the most current lead times, contact a Western Window Systems representative at westernwindowssystems.com/contact-us.

Online Resources

Find specifications, watch installation videos, and download resources like energy values and product brochures. Look for them under the “WWS for Professionals” tab at westernwindowssystems.com.

Installation Advice

We recommend installation be performed by an experienced professional working in accordance with the tested and accepted installation techniques of the American Architectural Manufacturers Association (AAMA). Installation instructions are supplied with all of our products and can be found on our website. Following these instructions is required for correct installation and maintaining product warranty.

Cleaning and Care

At westernwindowssystems.com, you'll find tips and detailed information to keep your Western Window Systems products performing their best: care during installation, cleaning materials and recommendations, lubricating hardware, and inspections.

Insulated Glass Warranty

We offer a limited lifetime warranty that our insulating glass will be free of permanent material obstruction of vision due to a premature failure of the air seal. For full warranty details, visit westernwindowssystems.com/support/warranty-information.





West Texas Vistas

A three-volume mountainside retreat forms a connection to the terrain.

"Function is paramount, but the aesthetic can be just as important."

– Dale Rush, Hazelbaker Rush



The master suite's multi-slide door seamlessly merges the interior of the upper volume with the rugged landscape outside.

On a starkly magnificent mountainside 800 feet above El Paso, Texas, architects Darci Hazelbaker and Dale Rush have designed a modernist masterpiece befitting the rugged landscape on which it is perched. To blend in the Franklin Mountain House with its environment, Tucson-based firm Hazelbaker Rush built much of the three-story residence with the naturally occurring volcanic rock basalt and granite.

And to make the most of the unfettered views of downtown El Paso and bountiful West Texas sunshine, Hazelbaker and Rush turned to Western Window Systems, with its huge panels of glass and contemporary sightlines, to make the most of the vistas.

"Each room of the home has a direct connection to the adjacent outdoor living spaces and to the mountain landscape and valley views beyond," says Rush. "The sliding doors and large windows are integral in reinforcing this connection with the natural world beyond the envelope of the home."

Continued on next page

The white stucco volume stands out amid the rocky terrain of the Franklin Mountains near El Paso.





Indeed, in the third-level master suite, a massive Series 600 Stacking Multi-Slide Door opens to the eastern lawn and patio facing up the mountain slope, seamlessly merging the indoors with the outside.

“The multi-slide in the master suite allows the owner the option to open up the bedroom to the patio or the bathroom,” Rush says. “It’s a flexibility that isn’t afforded with standard sliding options.”

Similarly, a huge four-panel stacking multi-slide door, with its easy and reliable operability, opens up the wide kitchen and dining area to a patio and swimming pool on the west side of the home. Given the elevation of the hillside home, cool Texas breezes can course through the main level when the doors are open.

“We like to use well-engineered products with clean lines,” Rush says. “Function is paramount, but the aesthetic can be just as important. Doors and windows are some of those elements that you touch and interact with on a daily basis. How they look, how they feel, and how they work can all determine the quality of the home.”

The third-floor volume features in an eye-catching triad of Series 670 Fixed Windows, each just a couple feet tall by several feet wide, creates a south-facing strongly horizontal wall of glass overlooking the pool that gives a glimpse of the horizon while not flooding the bedrooms with the strong West Texas sun. ■

A multi-slide door in the master suite opens up to the natural mountain preserve.





Twin Cities Masterpiece

A California-style modern home bathed in natural light.

"Glass-walled light wells connect the pavilions and create a visual connection to the outside."

– Gabriel Keller, principal, Peterssen/Keller Architecture



The second-story master suite features views of Minneapolis' Lake Calhoun.

When an architecture-loving client approached Peterssen/Keller Architecture about designing a three-pavilion home on an unusual L-shaped lot near Lake Calhoun in Minneapolis, the firm made the most of the request.

"The concept of indoor-outdoor living is integral to the design of the home, as the light-filled pavilions enclose a private courtyard with a swimming pool and patio," says Gabriel Keller, a principal at the Minneapolis firm. "Glass-walled light wells connect the pavilions and create a visual connection to the outside."

The first pavilion in the 4,500-square-foot home is a single-story two-car garage that faces the street. The second pavilion contains an integrated kitchen, living room, and dining room, as well as guest rooms, office, and media room. And the third pavilion, cantilevered over the patio, houses the master suite.

It's there that a Series 600 Sliding Glass Door opens to a balcony deck that provides panoramic views of downtown Minneapolis and the lake.

The highlight of the second pavilion is a 25-foot-wide Series 600 Multi-Slide Door that opens from the integrated kitchen/dining area/living room to a courtyard that features a wooden pathway to an outdoor living space and swimming pool.

Continued on next page



"These sliding doors provide cool, even light from the north," says Lars Peterssen, a principal at the firm. "We appreciate working with Western Window Systems because the products allow us to replace traditional solid walls with expansive glass 'walls.'"

Elsewhere throughout the house are fixed windows of various shapes and sizes, including floor-to-ceiling pieces in the master suite and main entry.

"Whether we're designing a brand-new, organic modern home or renovating an iconic midcentury home, we value the way Western Window Systems' entry doors, sidelights, windows, and sliding doors help bring our designs to life," says Peterssen. ■



Looking Through it All

A flair for drama in an expansive, day-lit Phoenix home.

"The design approach was initiated based on creating a dramatic formal entry flanked by more everyday living space."

– Jim Kehoe, Charles Cunniffe Architects



For its first home design in Phoenix, Charles Cunniffe Architects of Aspen, Colorado, envisioned a plan that maximized two of the desert city's two appealing attributes: sunshine and a climate conducive to nearly eight months of indoor-outdoor living.

The result is an 8,000-square-foot contemporary home (aptly named The Phoenix) that features numerous vast expanses of glass, including large multi-slide doors that seamlessly merge the inside of the home with a large outdoor living space and a huge backyard and pool.

"The design approach was initiated based on creating a dramatic formal entry flanked by more everyday living space," says lead architect Jim Kehoe. "And that evolved to a very open space, day-lit with floor-to-ceiling glass walls with a close connection to the landscape in the front and back."

Kehoe's design employed a full complement of Western Window Systems products, including a fixed Series 600 Window Wall, multiple Series 600 Multi-Slide Doors and Sliding Glass Doors, Series 900 Hinged Doors, and Series 670 Awning, Casement, and Fixed Windows. All the products, Kehoe says, fit in well with the design philosophy of Charles Cunniffe Architects because of the products' clean appearance, minimal sightlines, and their ability to maximize glazing units.

Continued on next page

Smaller pieces of glass were used in rooms requiring less natural light.





Vast expanses of glass bathe the 8,000-square-foot home in natural light.

"Given the aesthetic quality the owner wanted," he says. "Western Window Systems provided a huge advantage when you're looking at a modern approach to the design and reductive approach to the material palette."

The ability of Western Window Systems to create very large floor-to-ceiling glazed units meant that Kehoe could design 12- to 13-foot openings, which in the front of the house give the appearance of the roof hovering over the main space. From wall to wall, expansive openings bring in natural light. It's so open, in fact, that from the front yard one can see through the main living space into the backyard.

With all the large glass in the open spaces, deep overhangs became essential to the design in order to cut down the heat transfer through the glass during Phoenix's scorching summers. And in the more everyday living spaces on the east and west wings of the home, smaller pieces of glass were used because these areas require less daylight.

But it's the dramatic entryway and main living space that take the breath away and provide a transition to an outdoor living space and the landscape beyond it.

"When you open up the back patio sliding doors," Kehoe says, "the two spaces adjacent to the patio flow directly to the outside. And you've got this large overhang that creates this very high roof over an outdoor room, and those spaces just coalesce as one." ■



Positively Provo

Huge window walls, multi-slide doors show off Utah's splendor.

"I think Western Window Systems provides a great product that allows me to design large openings and maintain clean, thin window/door frames that don't become too bulky or busy."

— Richard McCann, designer, Blackbox Design Studios



At night, the west-facing window walls offer unparalleled views of the city lights.

A future homeowner with a lot on the elevated east bench of Provo, Utah, knew exactly what he had in front of him: spectacular views of the city below and the huge Utah Lake beyond it. So he turned to designer Richard McCann of Blackbox Design Studios in Salt Lake City to provide him with a modern home that maximized the stunning vistas.

"The entire design of the home was centered on the lot and its views of the valley below," says McCann. "So the idea was to try to get as much glass as possible on the home's west facade, where the views were."

Mission accomplished. The beautiful two-story, 6,600-square-foot residence features two massive Western Window Systems window walls (one on each story) on the front of the home. Each window wall features five rows of three horizontal panels of large glass, perfect for letting in copious amounts of Utah sunshine.

"The owners have a less-conventional décor taste that really benefits from a lot of light. And the space is dynamic during any part of the day," says McCann, "whether you're taking in the sunset reflecting on the lake or looking out at the city lights at night."

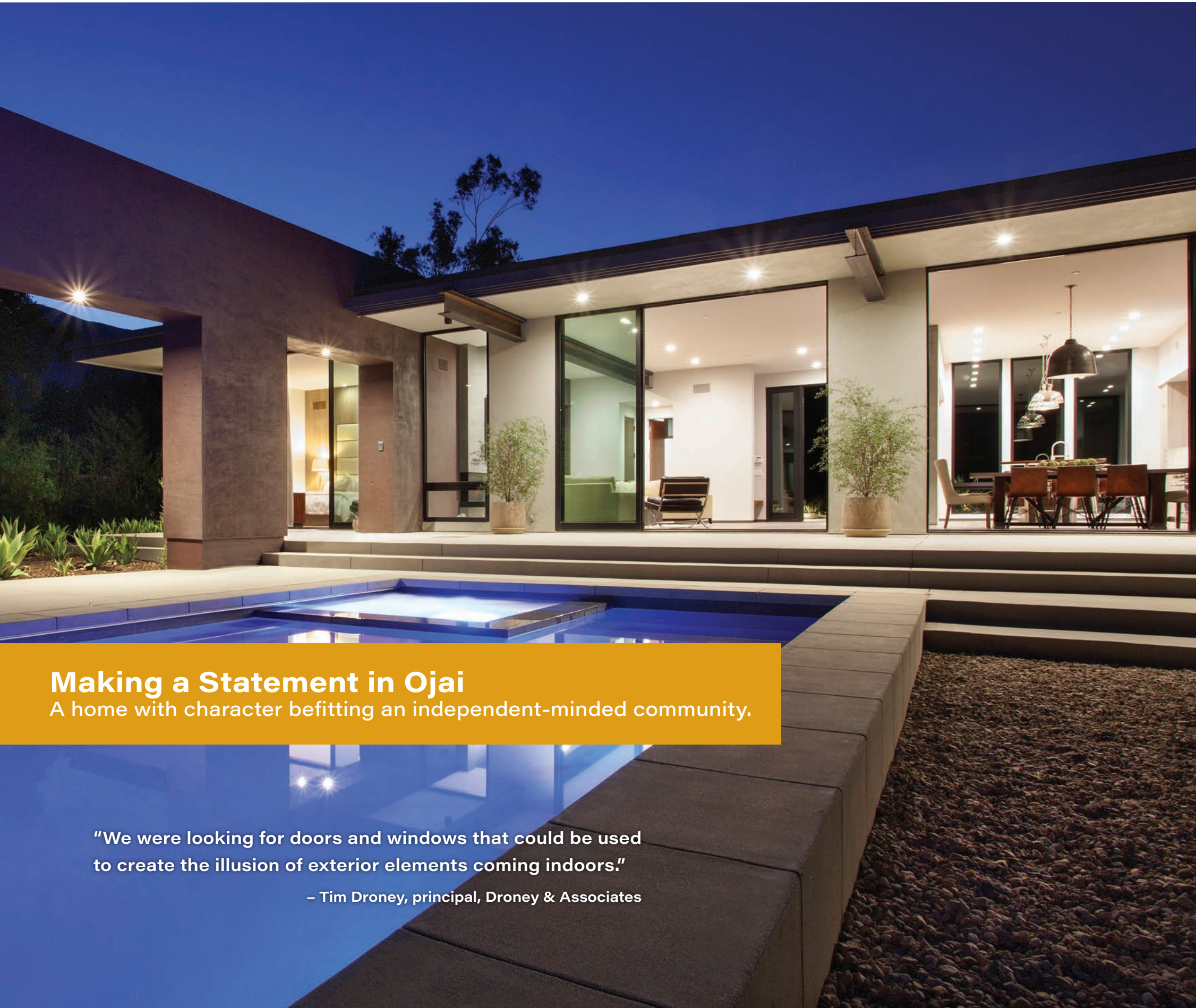
And given that the huge array of glass panels faces west, solar heat gain was definitely a concern for McCann, but he reports that the Western Window Systems windows, with their low U-values and thermally broken aluminum frames, met the energy requirements needed. "And after a full summer in the home, the owner is very satisfied with the windows' energy performance."

Continued on next page



But it's not just the front of the house that benefits from huge glass. The back of the home features indoor-outdoor living areas connected by Western Window Systems multi-slide doors. One of them leads from an in-home recording studio through a glass walkway and out to the backyard swimming pool. Two other multi-slides open from the upper levels out to patios overlooking the backyards and providing still more striking views of the Provo valley.

"The owner wanted as much view as possible," says McCann, "so utilizing large multi-slide doors maximized both the natural light and the views. The multi-slide doors are a great option that allow for maximum access to the patios and outdoor spaces while still providing a smart, clean look that we were intent on achieving." ■



Making a Statement in Ojai

A home with character befitting an independent-minded community.

"We were looking for doors and windows that could be used to create the illusion of exterior elements coming indoors."

– Tim Droney, principal, Droney & Associates



When all the doors are open, the ranch-style home in Ojai benefits from the cool Southern California evening air.

To understand the Ladera Project, it helps to get to know a little about the area in which the modern home sits. The small town of Ojai, in California's Ventura County, is upscale and breeds a sort of fierce independence, not allowing chain retailers and encouraging boutiques and the kind of small businesses that give a city its character.

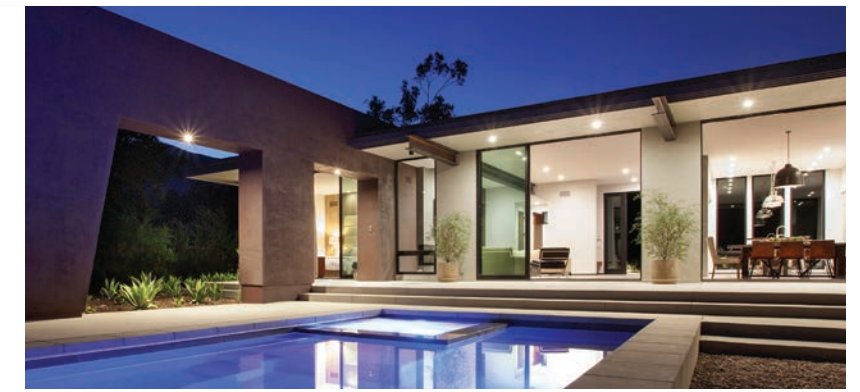
In other words, Ojai is the perfect site for such a boldly conceived home as Droney & Associates' Ladera Project.

The monolithic structure, with its sleek, smooth steel finishes, takes any preconceived notions about stereotypical Southern California architecture and turns them upside down. Western Window Systems' contemporary windows and giant moving glass walls helped architect/designers Tim and Maraya Droney make the kind of statement Ojai-area homebuyers have come to expect from them.

Continued on next page

A giant Series 600 Multi-Slide Door connects the Ladera Project's magnificent backyard to the living room.





Indoor-outdoor living at its most elegant.

"For this project, Maraya and I were looking for doors and windows that could be used to create the illusion of exterior elements coming indoors," Tim Droney says. "The monolith walls and large overhangs needed to have no interruption visually, and Western Window Systems had the sizes and profiles that allowed us to preserve those critical elements and sightlines."

A Series 980 Pivot Door at the entrance to the right of a monolith wall creates an eye-popping first impression. Once inside, floor-to-ceiling Series 600 Multi-Slide Doors in the living and dining areas grab one's attention and never really let go of it.

Elsewhere in the home, high ceilings and an open floor plan create a calm, expansive feel, as do sensible and straightforward finishes of Western Window Systems' products. "We like that Western Window Systems works with the same kind of modern design concepts that we like to explore," Droney says.

Stunning views of the mountains surrounding Ojai Valley also can be enjoyed in the contemporary kitchen, which features three floor-to-ceiling windows that fully integrate with Series 670 Hinged Windows positioned near the floor.

In the master bedroom, which also features pristine views of the valley, a floor-to-ceiling Series 600 Window Wall provides a modern feel and lets in loads of natural light. And the dual-pane, low-E glass is manufactured for better performance and energy efficiency. ■

A giant Western Window Systems pivot door greets visitors to the Ladera Project home.



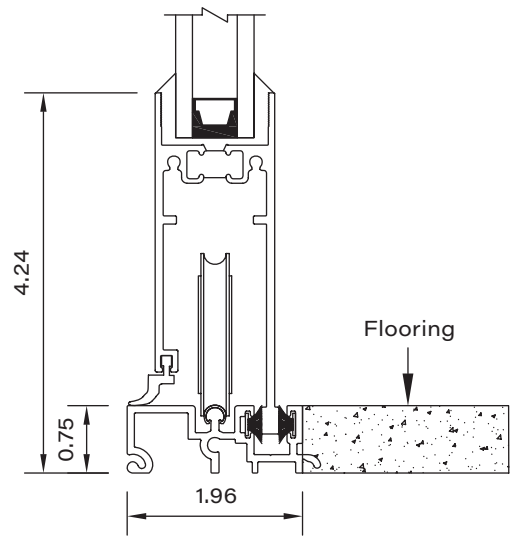
Technical Specifications

"We have six 12-foot-tall by 6-foot-wide panel windows that are very energy efficient."

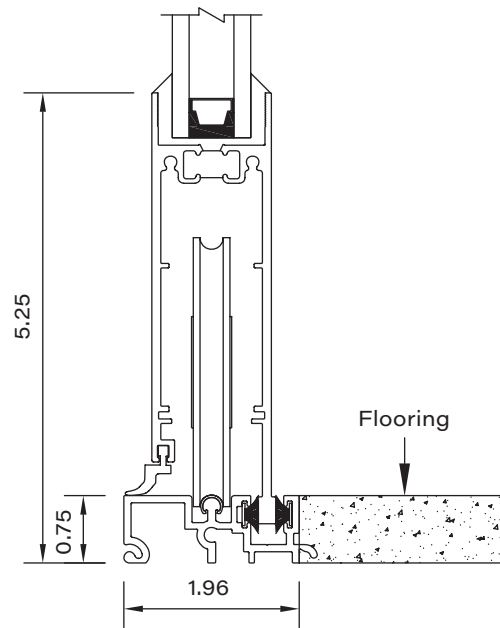
– Dean Papadopoulos, homeowner

Design Better

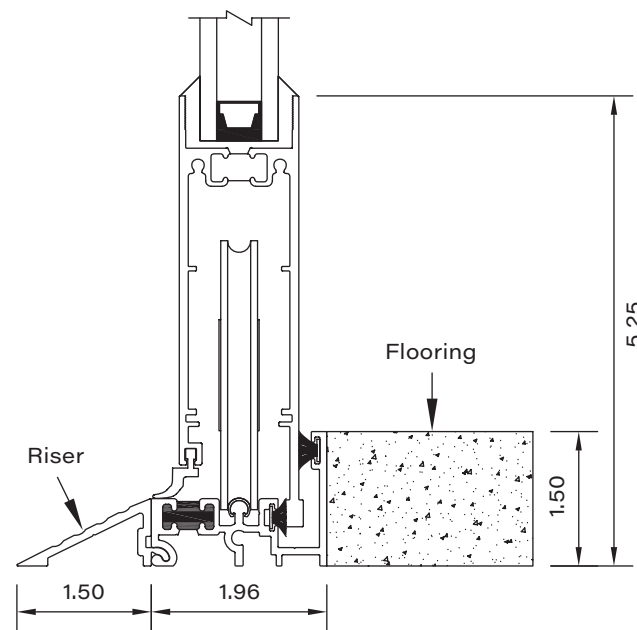
Series 600 Multi-Slide Door



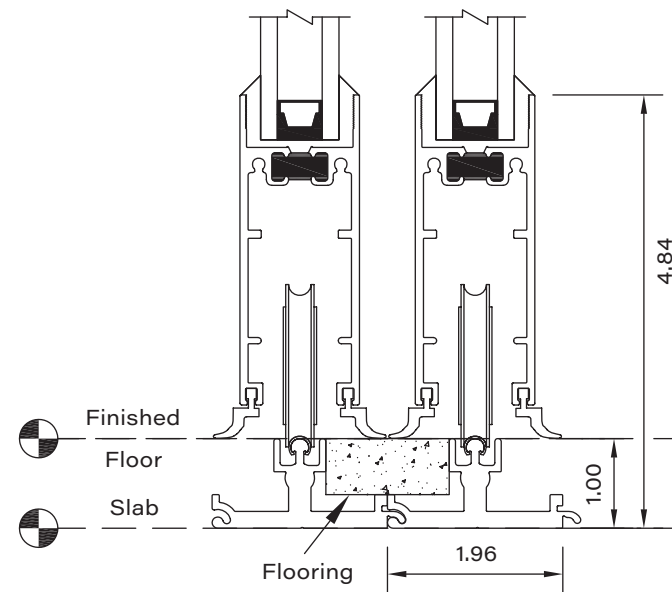
flush threshold with 1.81 diameter roller



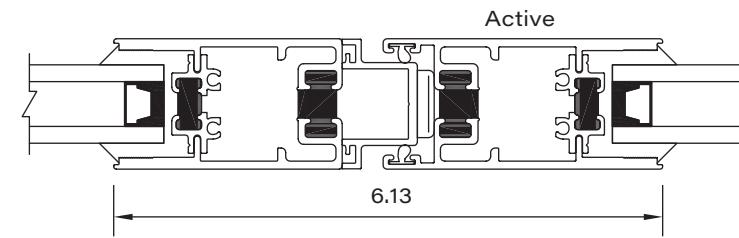
flush threshold with 3.00" diameter roller



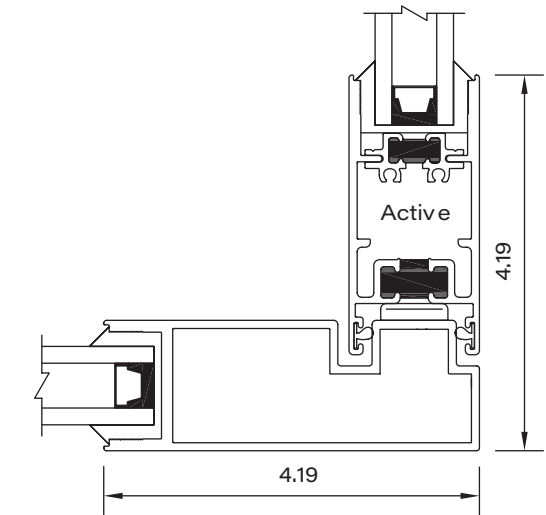
water barrier threshold with 3.00" diameter roller and riser



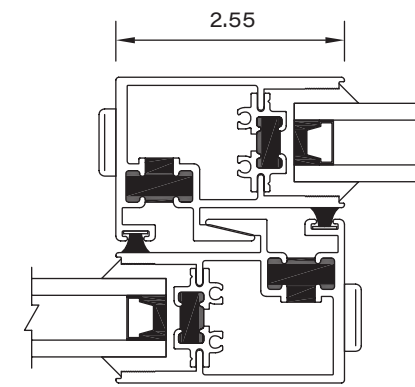
thinline threshold with 1.81" diameter roller



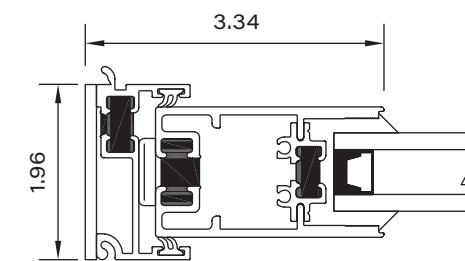
bi-parting condition



90-degree condition

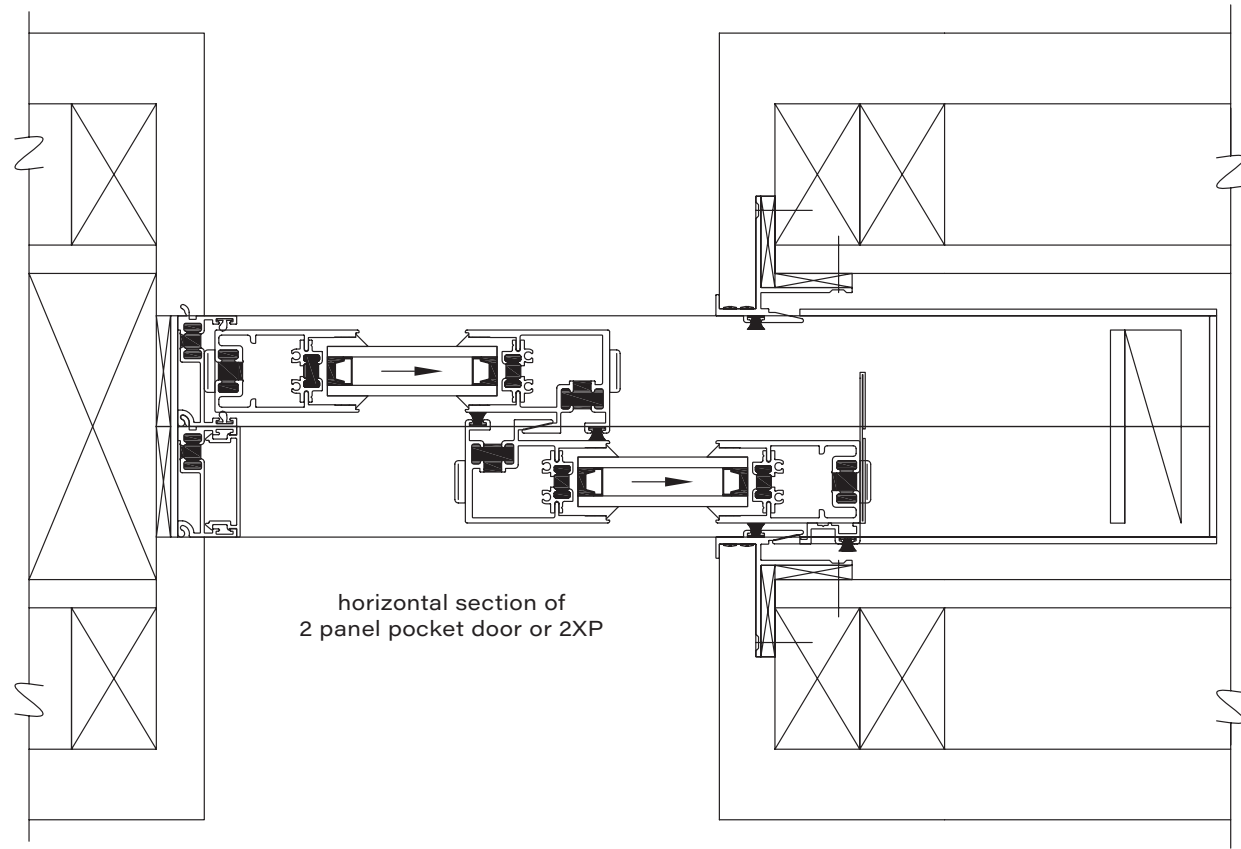


interlocking condition

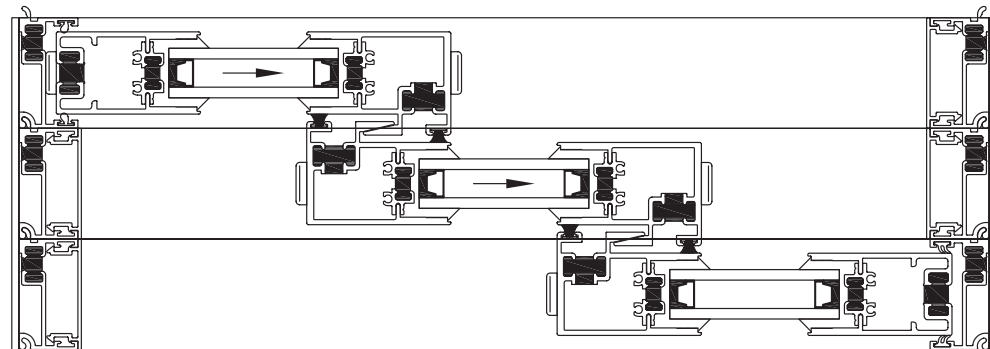


fixed position

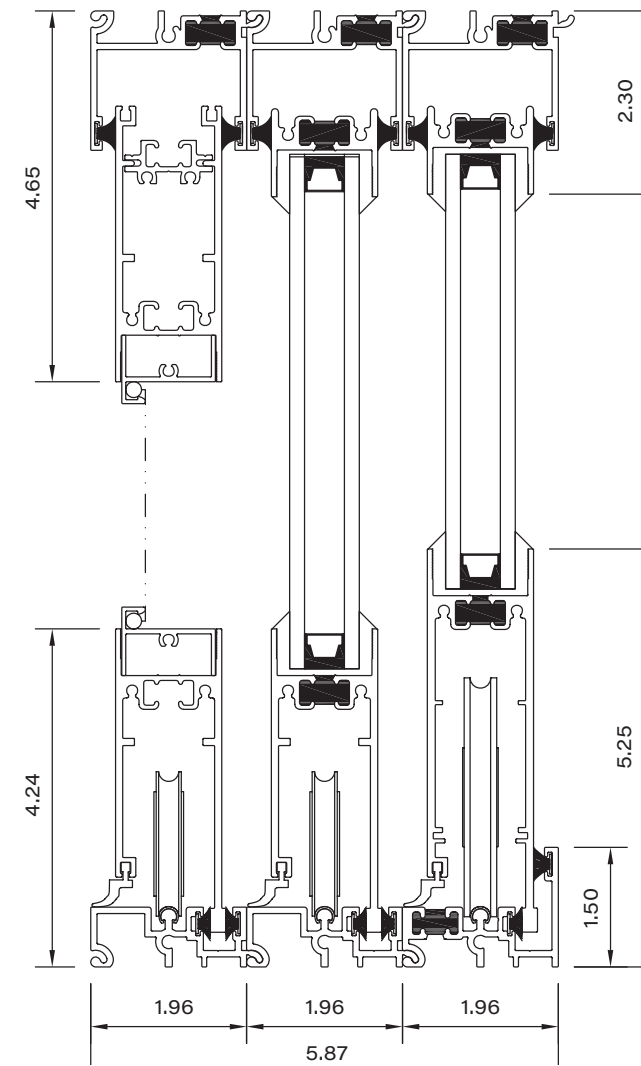
Series 600 Multi-Slide Door



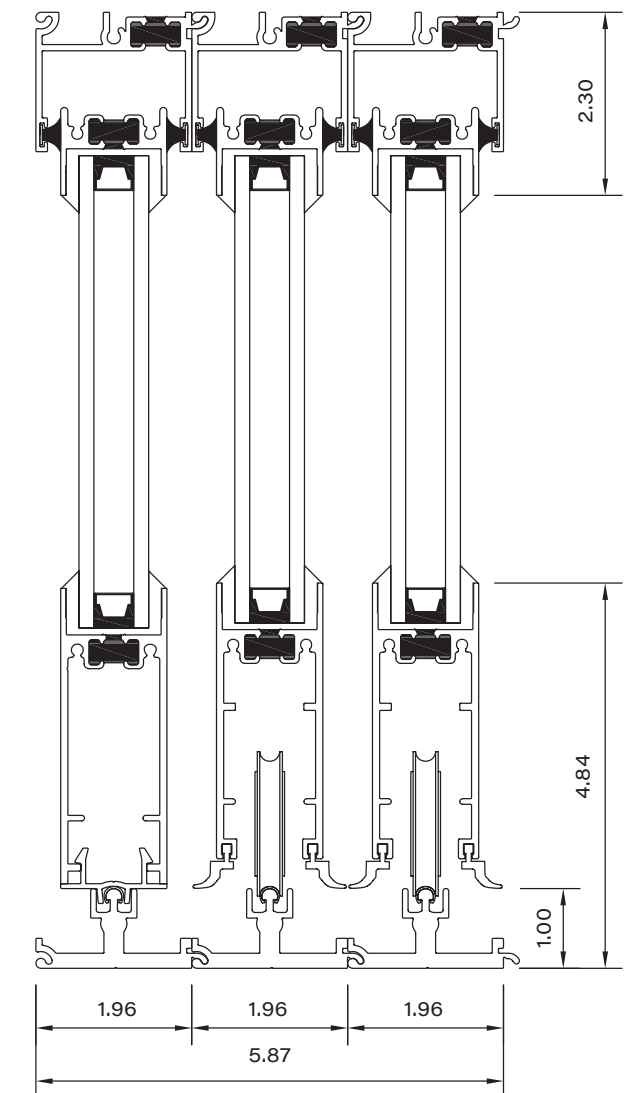
horizontal section of
2 panel pocket door or 2XP



horizontal section of
3 panel stacking door or 2XO

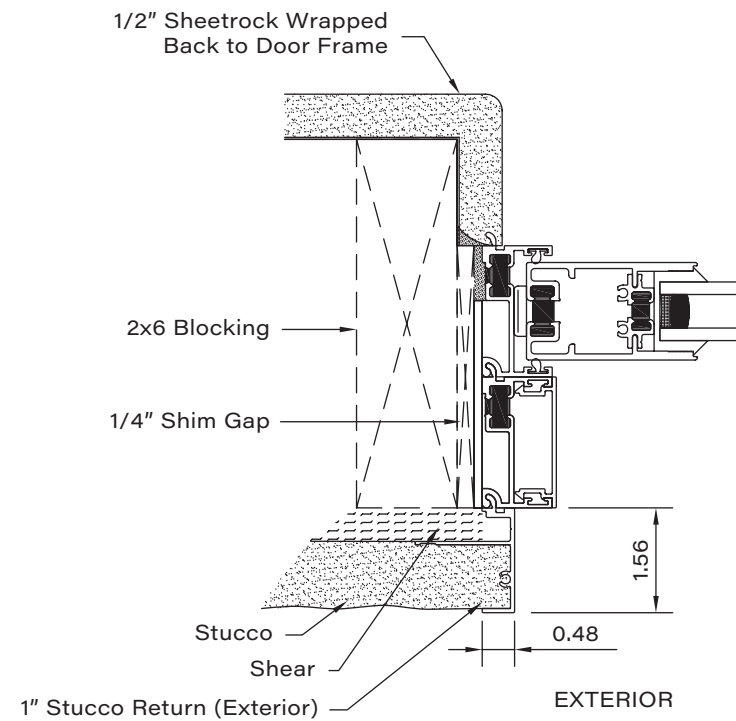


vertical section of exterior screen
1.81" diameter roller
3.00" diameter roller
water barrier threshold

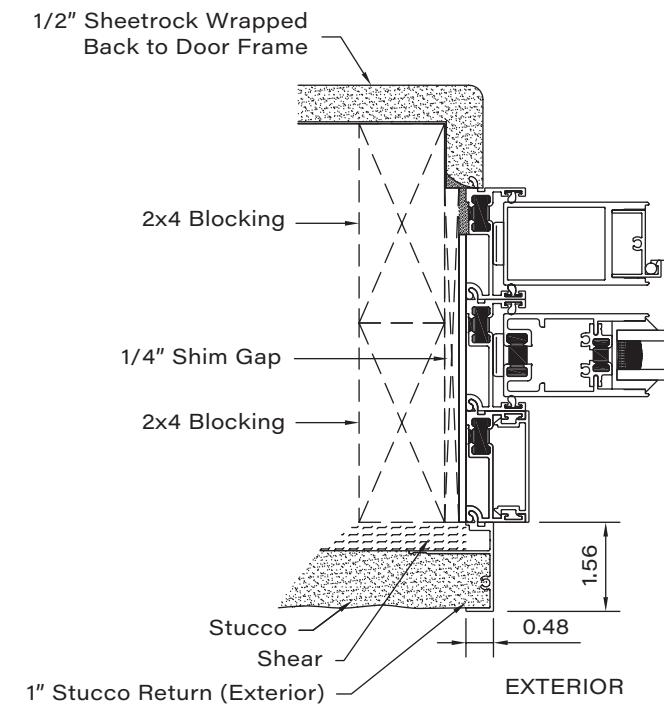


vertical section of thinline threshold
with 1.81" diameter rollers

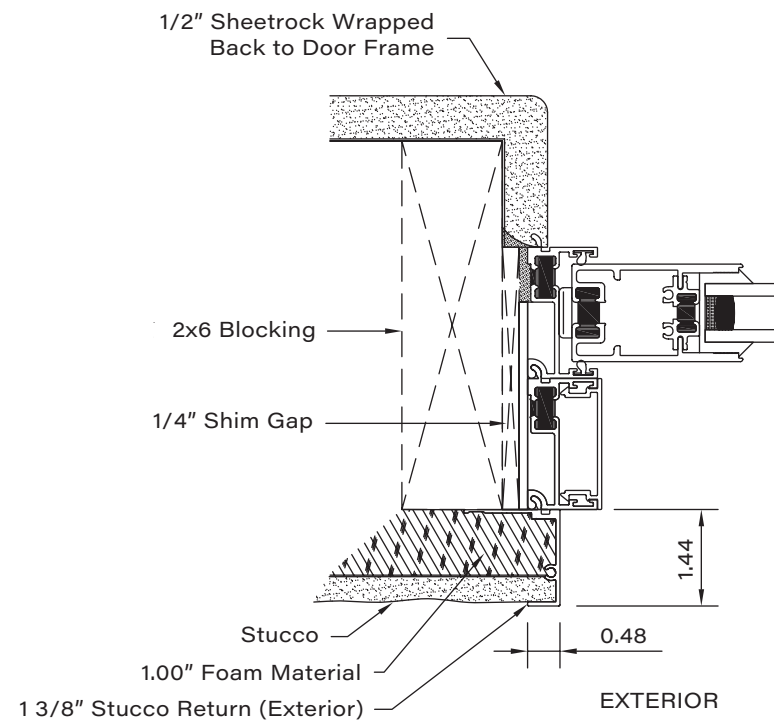
Series 600 Multi-Slide Door



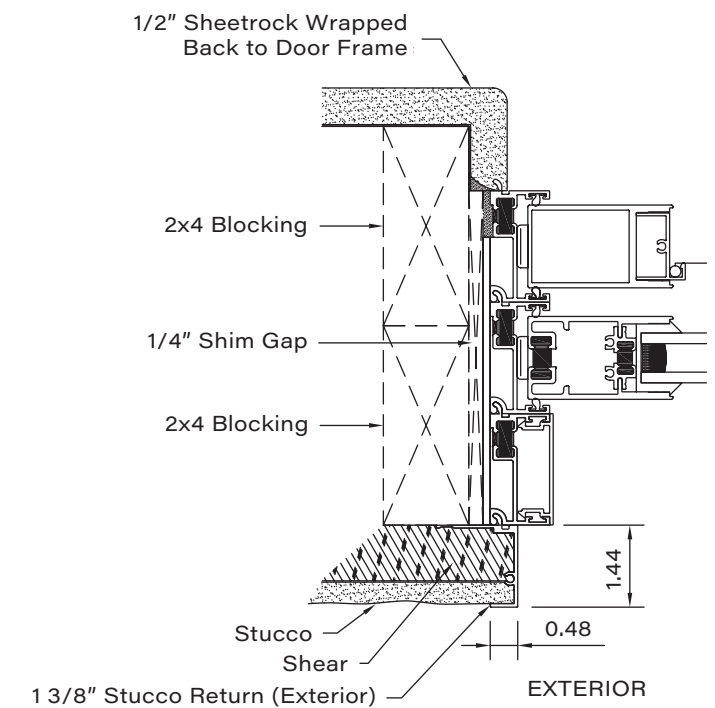
1" stucco return wall construction profile @ stud multi-slide stacking door jamb application



1" stucco return wall construction profile @ stud multi-slide stacking door jamb application

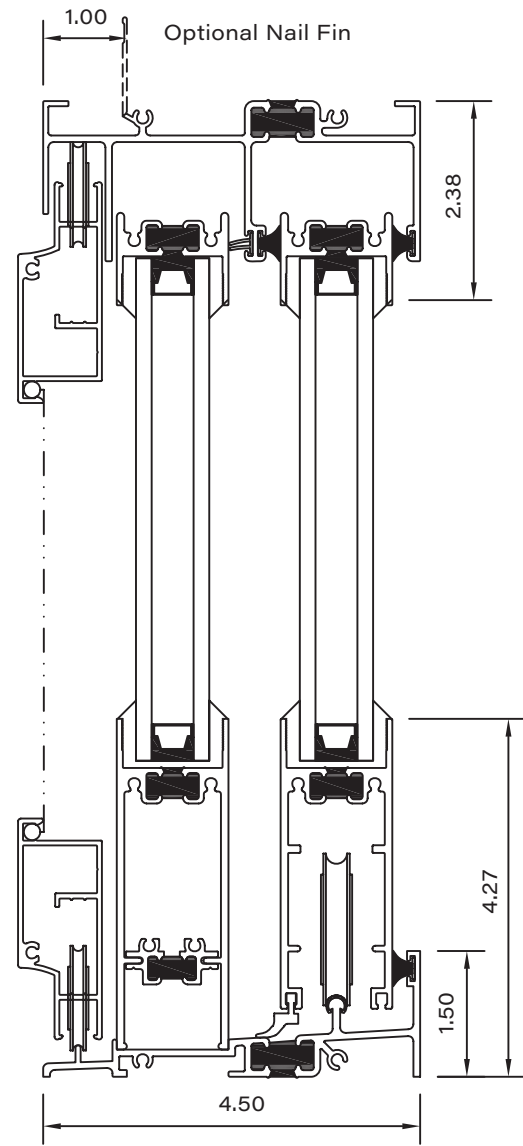


1.375" stucco return wall construction profile @ stud multi-slide stacking door jamb application

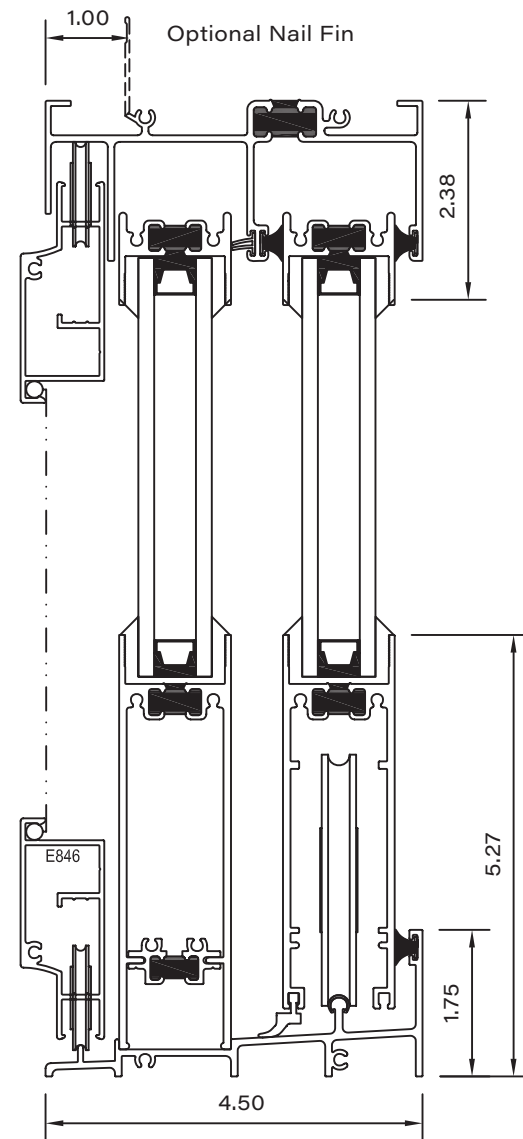


1.375" stucco return wall construction profile @ stud multi-slide stacking door jamb application

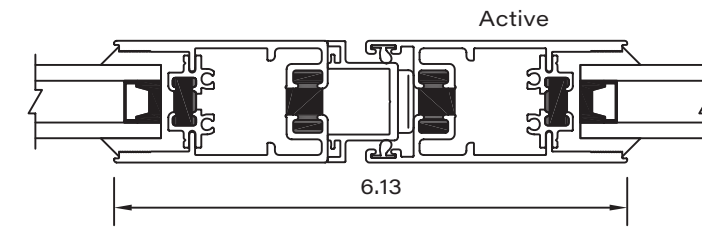
Series 600 Sliding Glass Door



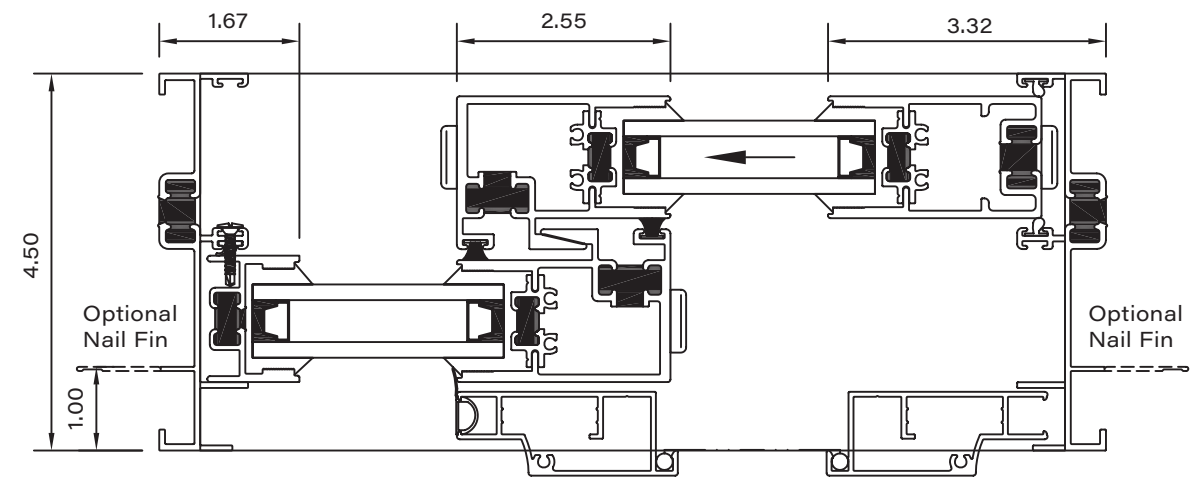
vertical section with 1.81" diameter rollers and 1.50" threshold



vertical section with 3.00" diameter rollers and 1.75" threshold

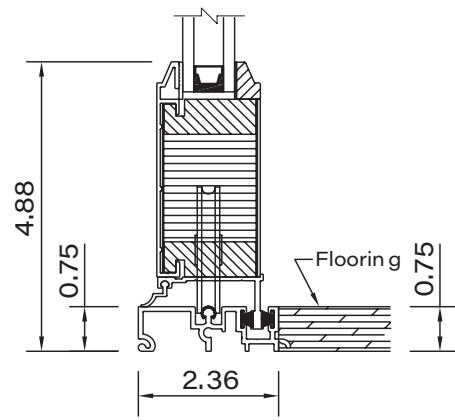


bi-parting condition

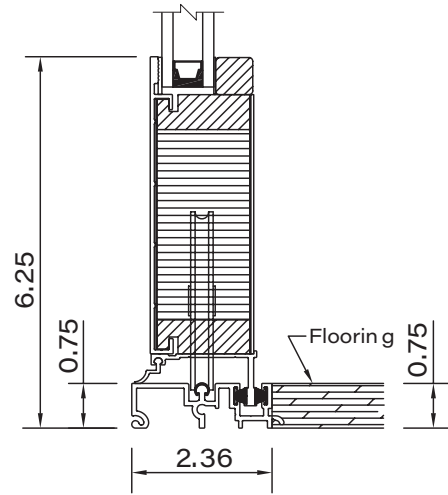


horizontal section OX

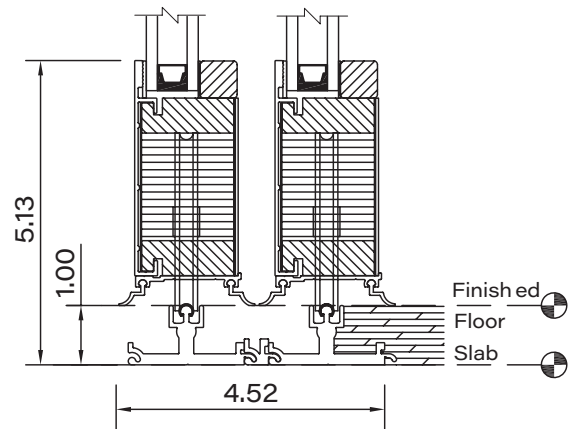
Series 2600 Aluminum-Clad Multi-Slide Door



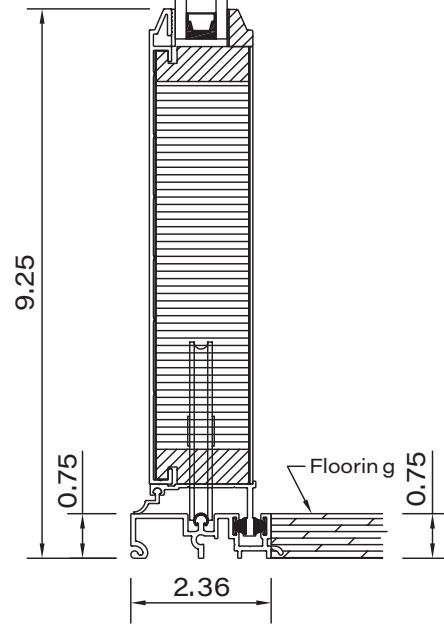
flush sill - 2.12" roller
3.63" traditional bottom rail



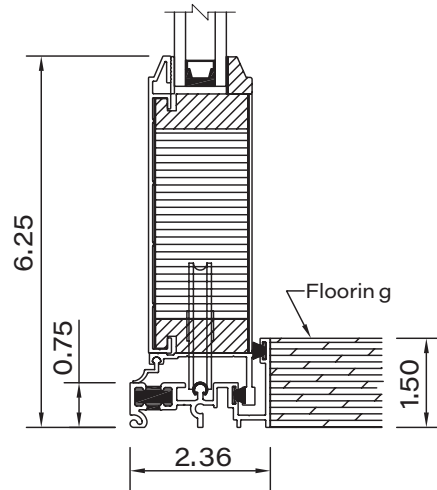
flush sill - 3" roller
5" contemporary bottom rail



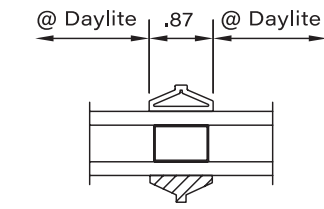
thinline sill - 3" roller
3.63" contemporary bottom rail



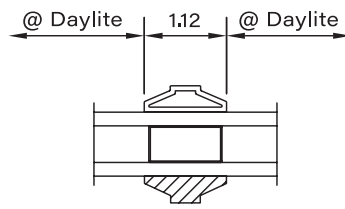
flush sill - 3" roller
8" traditional bottom rail



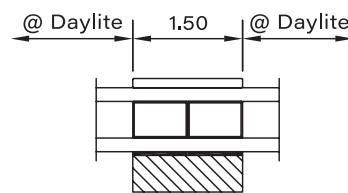
water barrier sill - 2.12" roller
5" traditional bottom rail



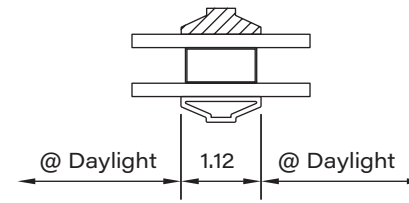
traditional .87" bar
simulated divided lite



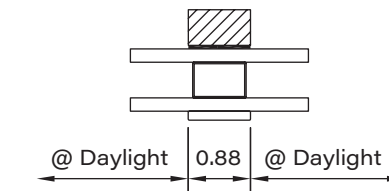
traditional 1.12" bar
simulated divided lite



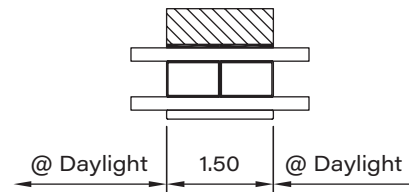
contemporary 1.5" DH bar
simulated divided lite



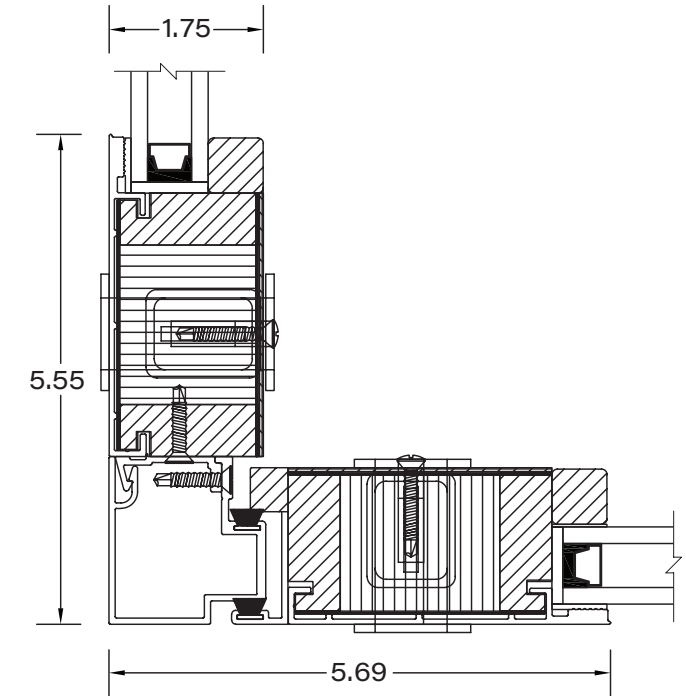
E2671 traditional
wood clad muntin



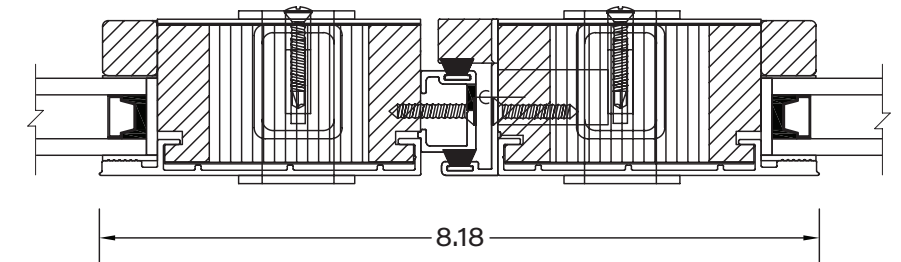
E135 contemporary
wood clad muntin



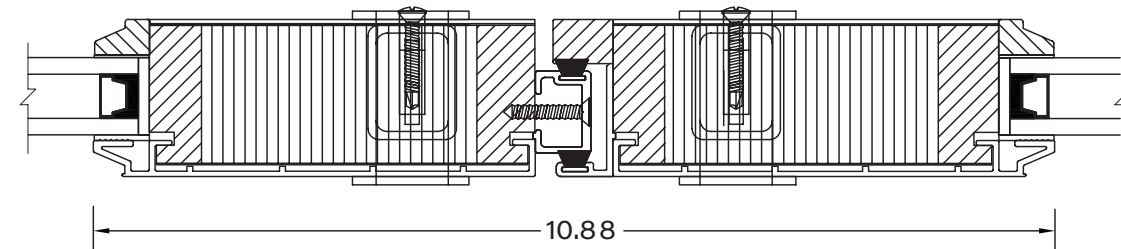
E126 contemporary
wood clad muntin



90-degree condition
contemporary narrow stile

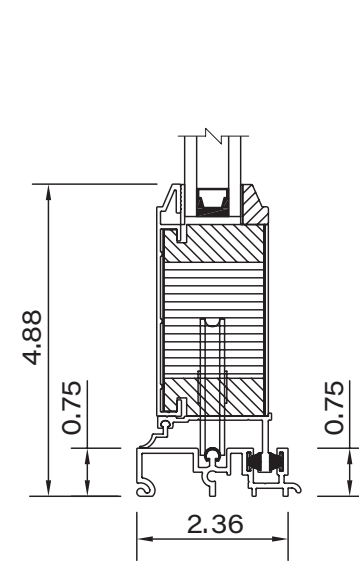
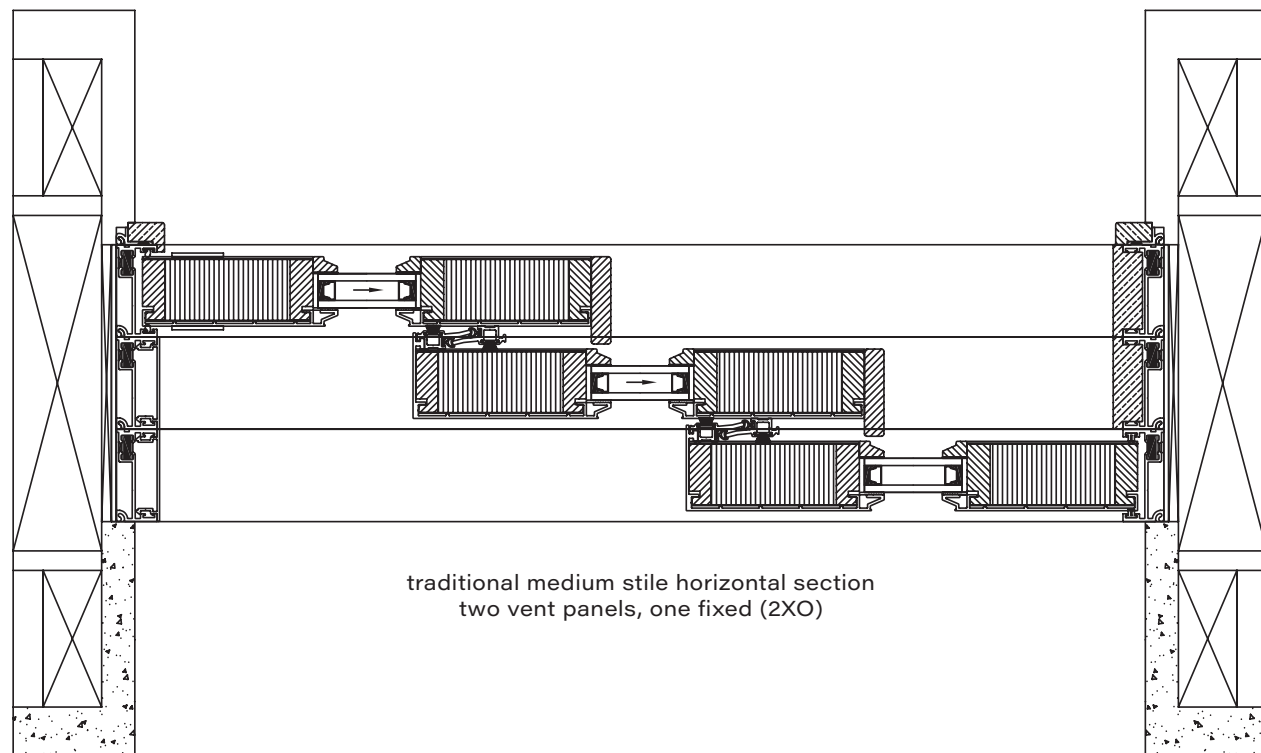
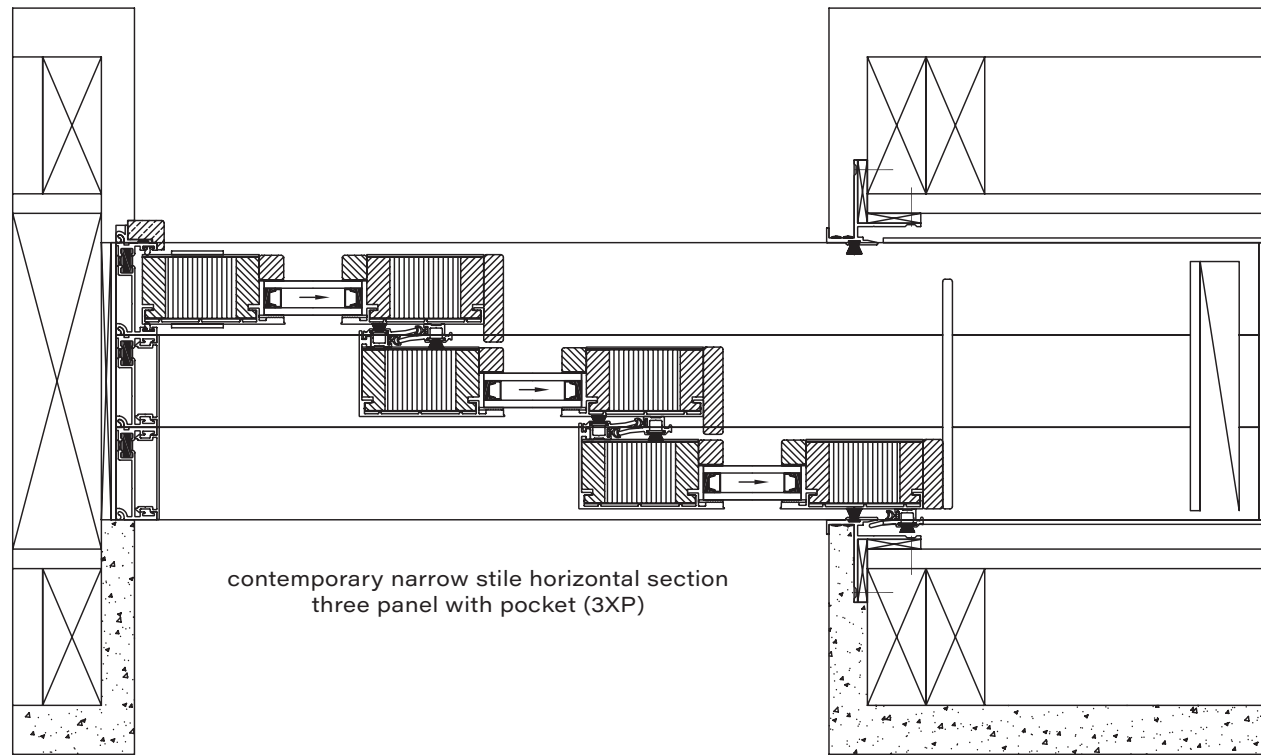


bi-parting condition
contemporary narrow stile

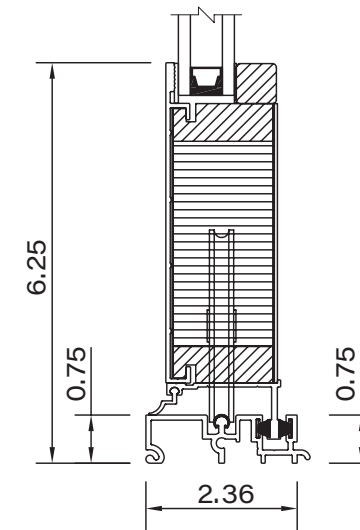


bi-parting condition
traditional medium stile

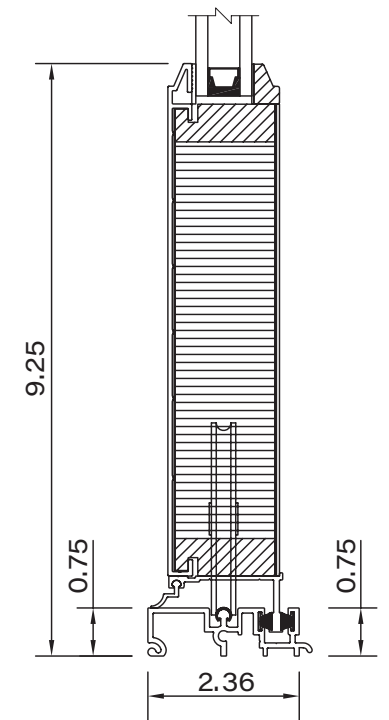
Series 2600 Aluminum-Clad Multi-Slide Door



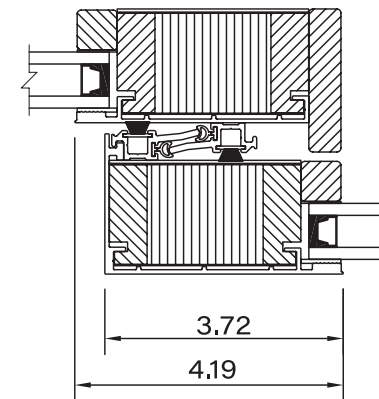
flush sill - 2.12" roller
3.63" traditional bottom rail



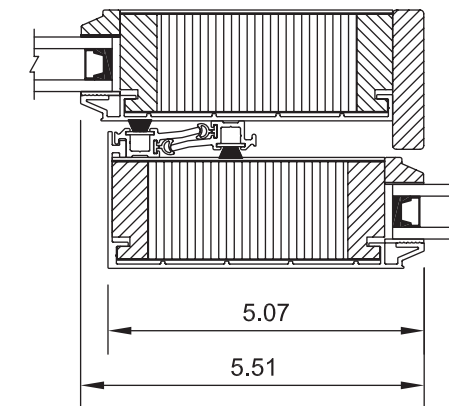
flush sill - 3" roller
5" contemporary bottom rail



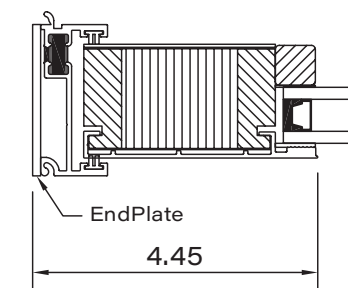
flush sill - 3" roller
8" traditional bottom rail



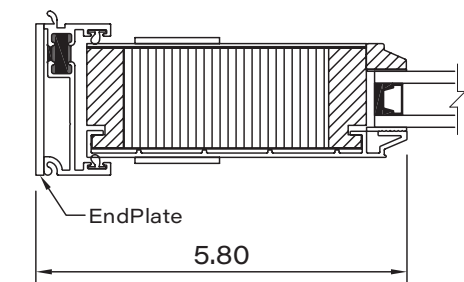
interlocking condition
contemporary narrow stile



interlocking condition
traditional medium stile

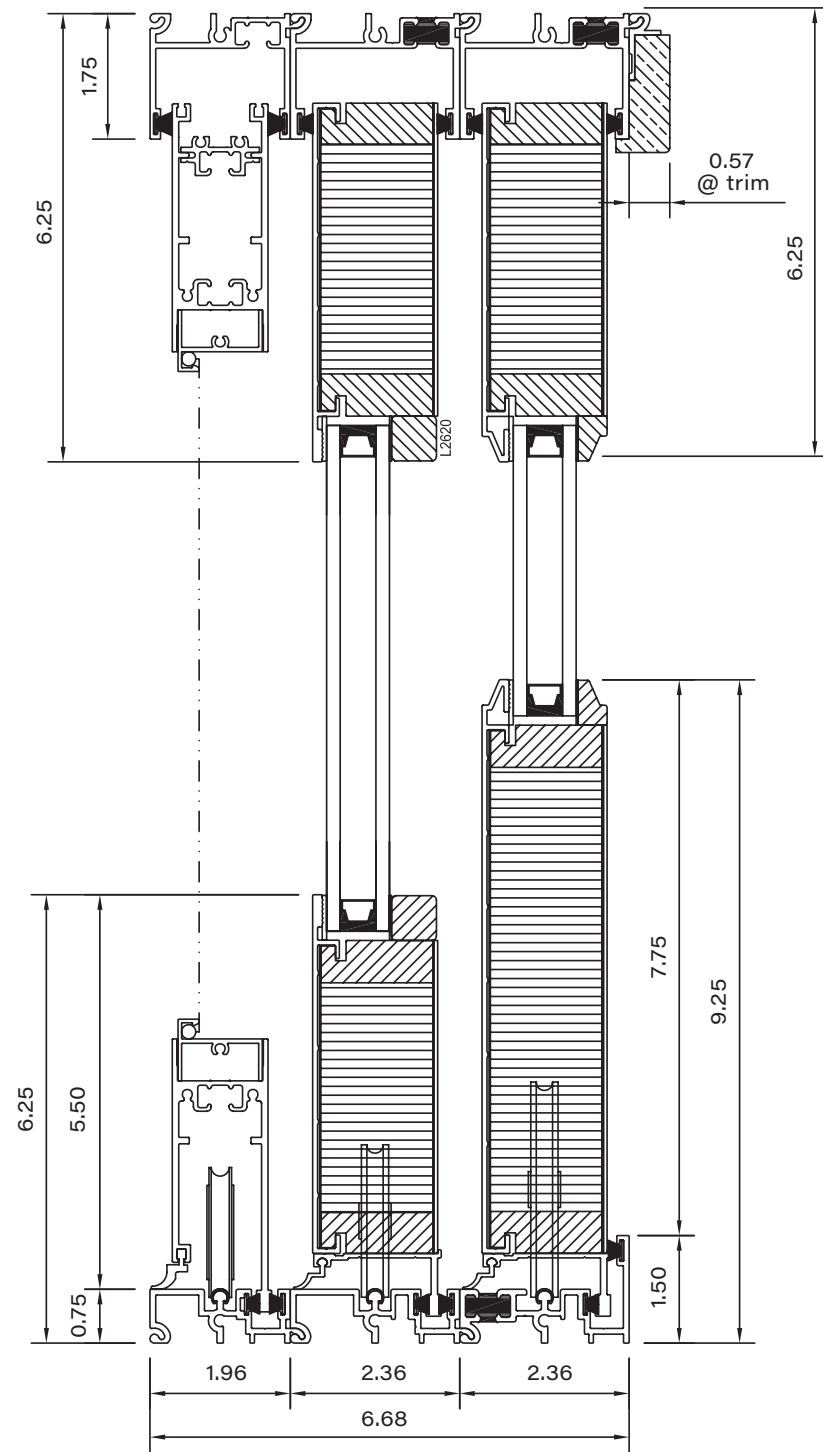


fixed condition
contemporary narrow stile

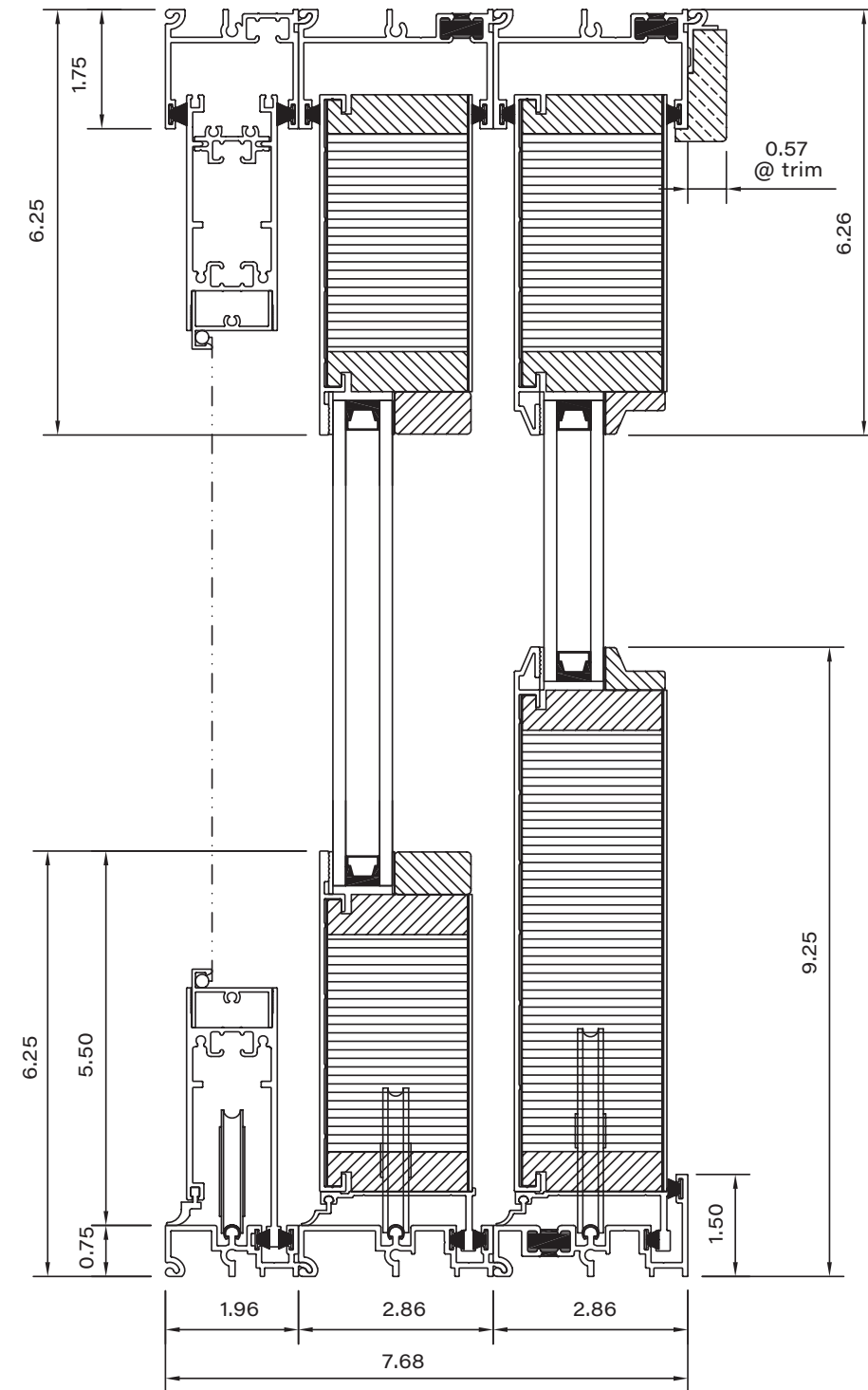


fixed condition
traditional medium stile

Series 2600 Aluminum-Clad Multi-Slide Door

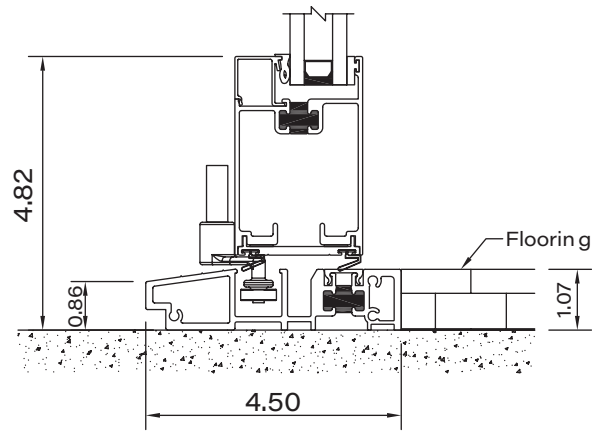


vertical section with screen - 1.75" panels
various options shown

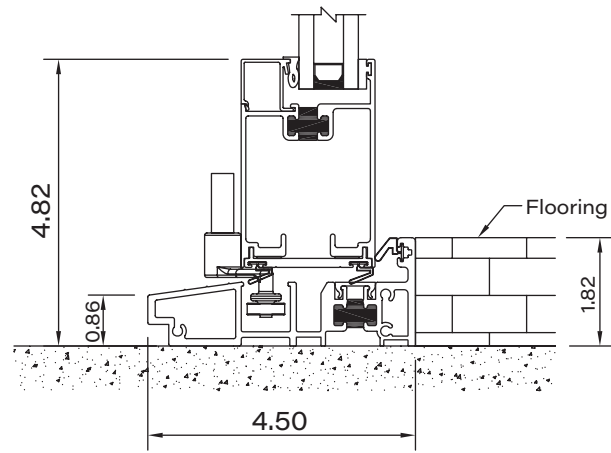


vertical section with screen - 2.25" panels
various options shown

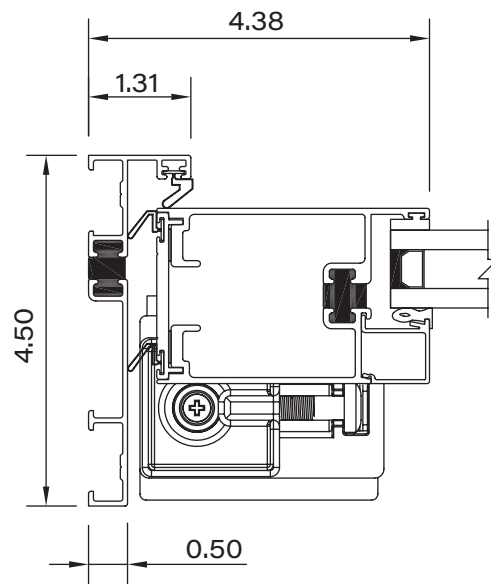
Series 9500 Bi-Fold Door



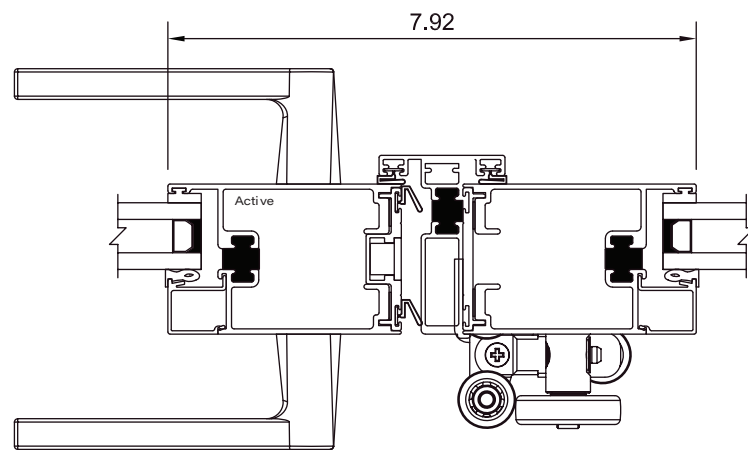
swing out with flush sill head load bi-fold



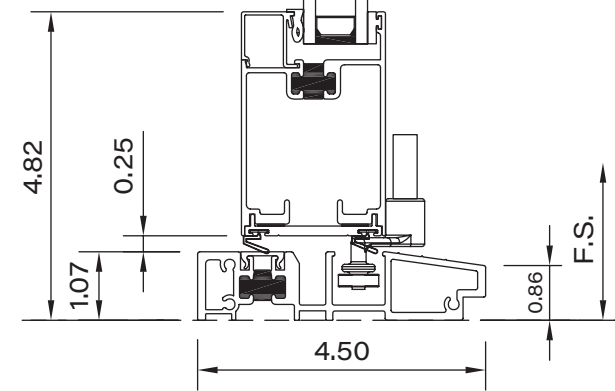
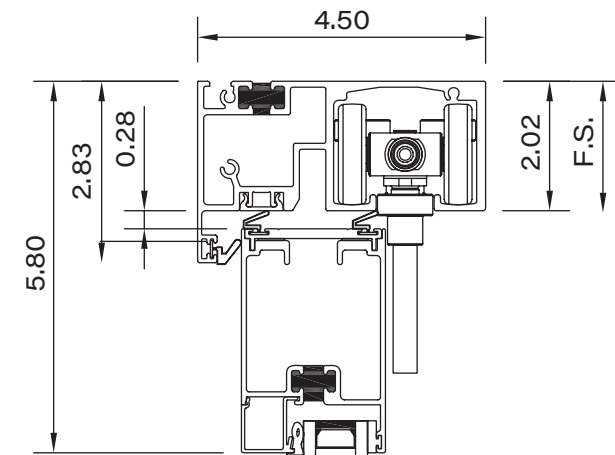
swing out with water barrier sill head load bi-fold



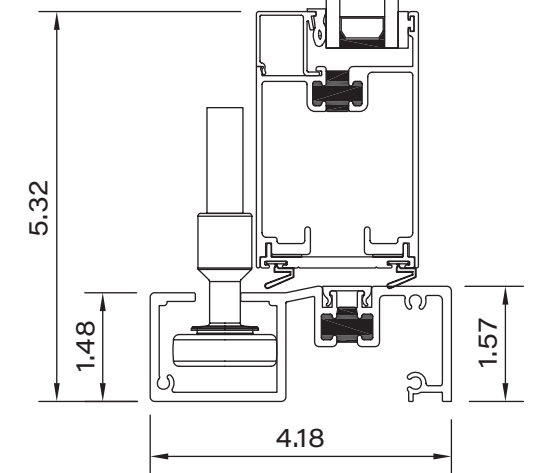
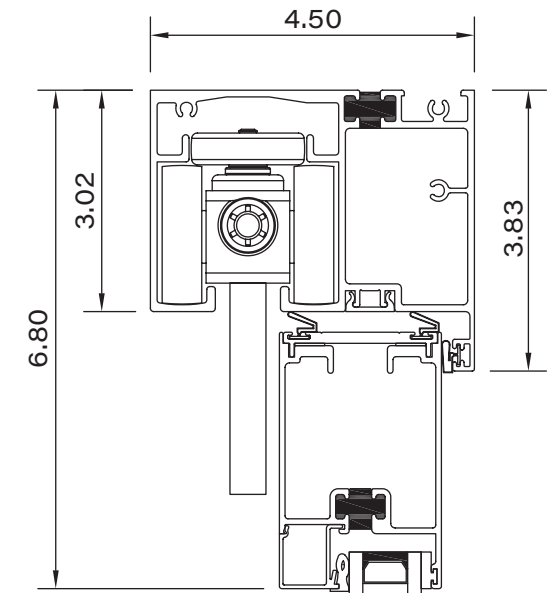
swing out with jamb head load bi-fold



swing out at meeting stiles head load bi-fold

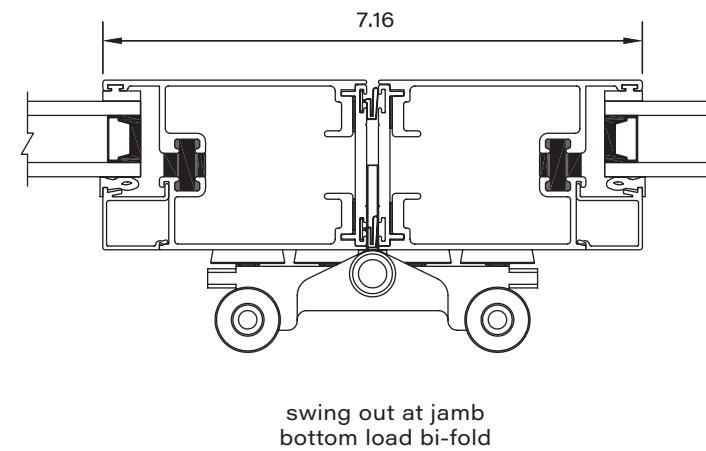
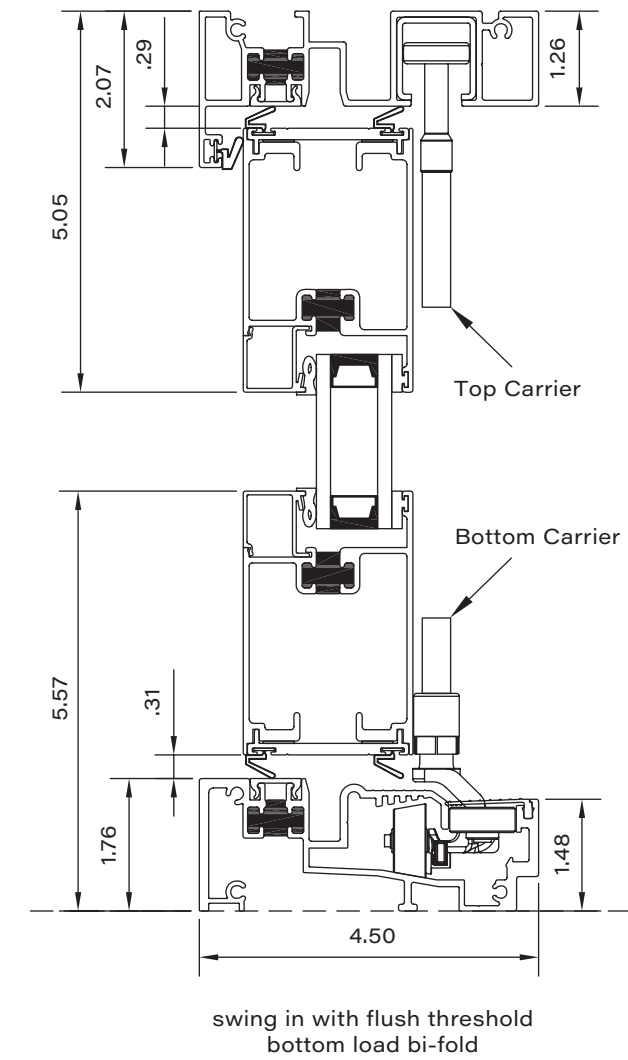
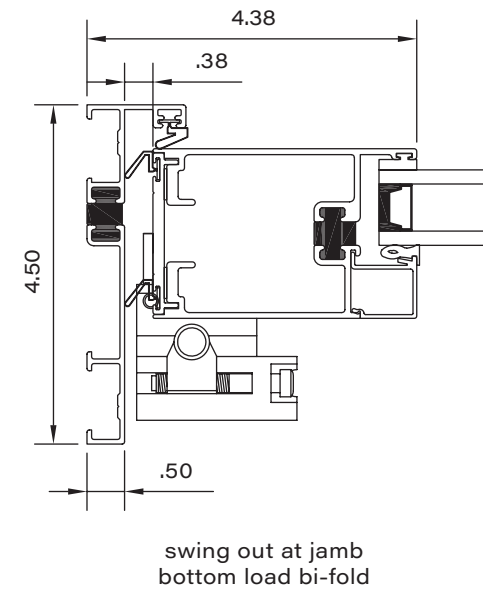
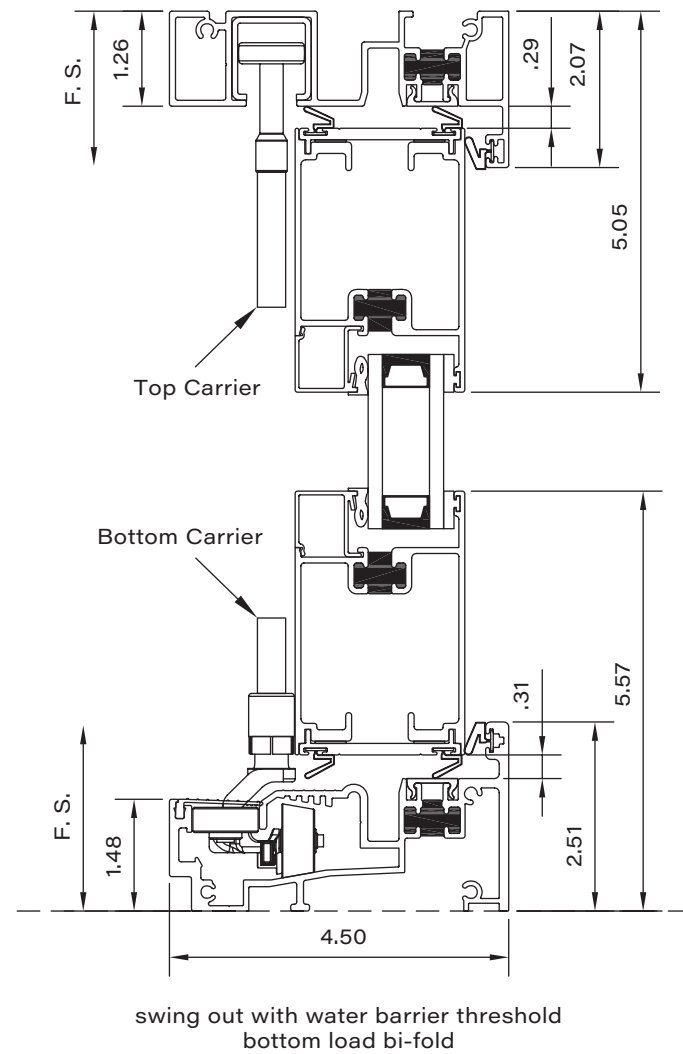
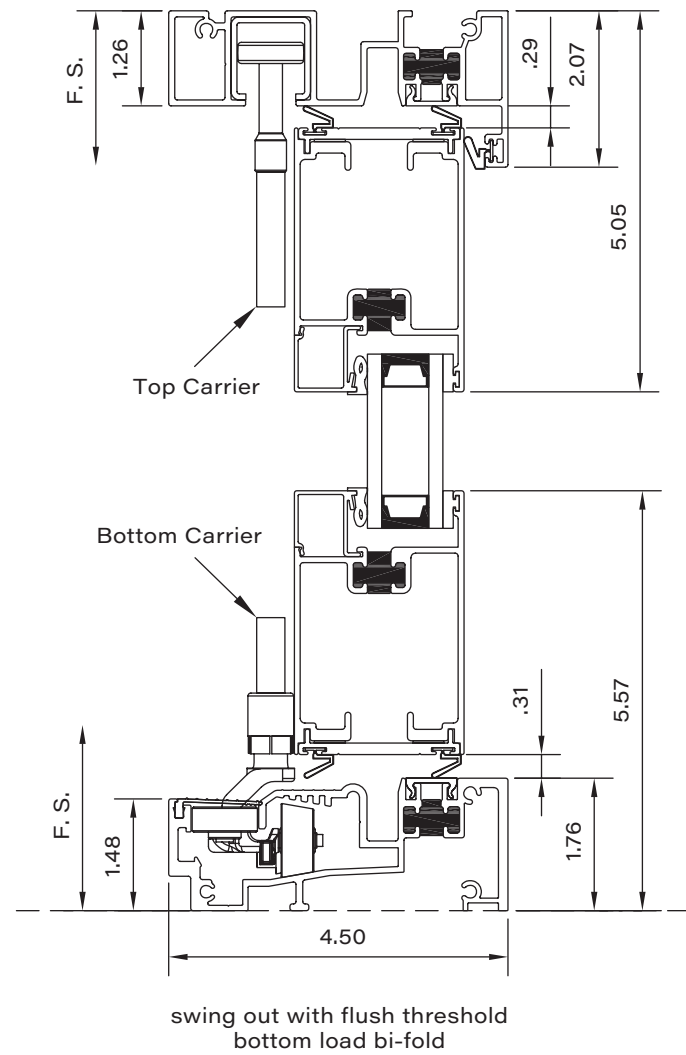


swing in with flush sill head load bi-fold

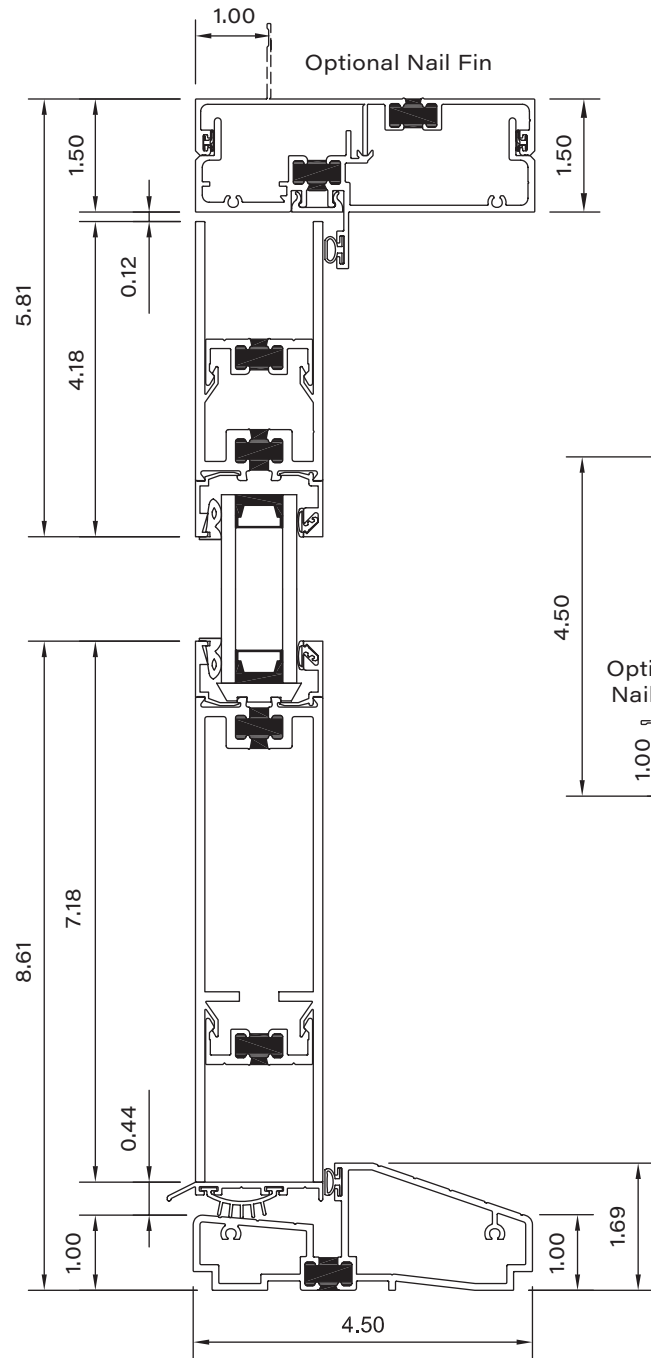


swing out with flush sill heavy duty head load bi-fold

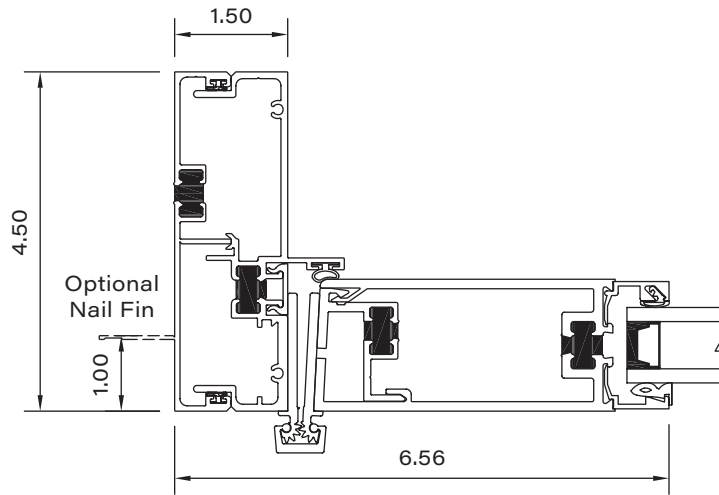
Series 9500 Bi-Fold Door



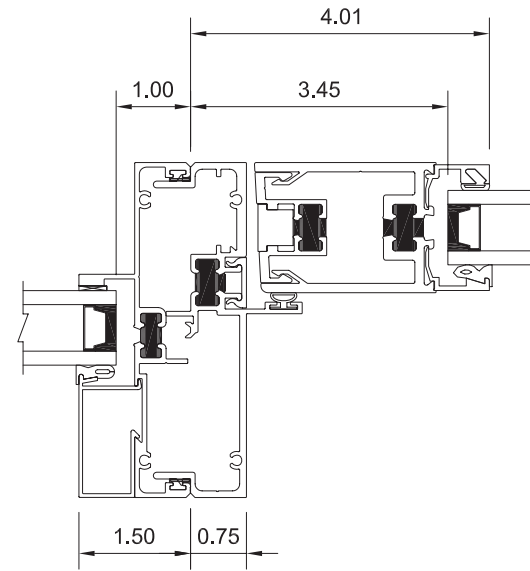
Series 900 Hinged Door



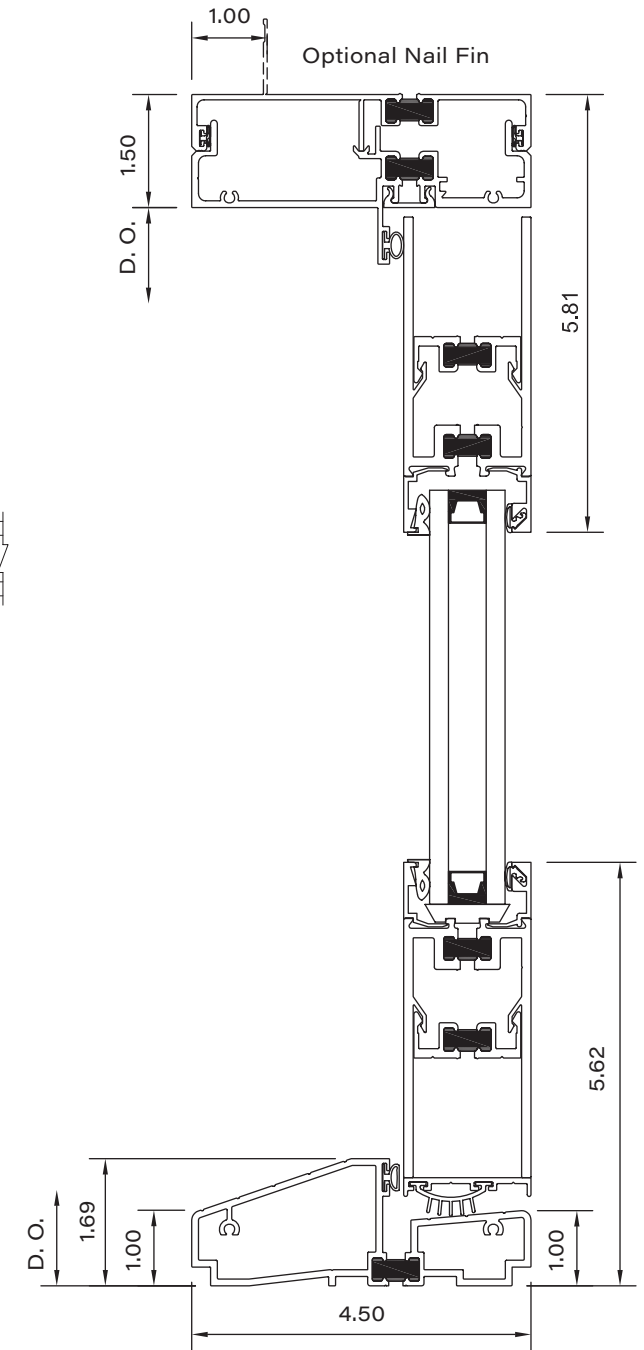
medium stile at swing out



medium stile at swing out

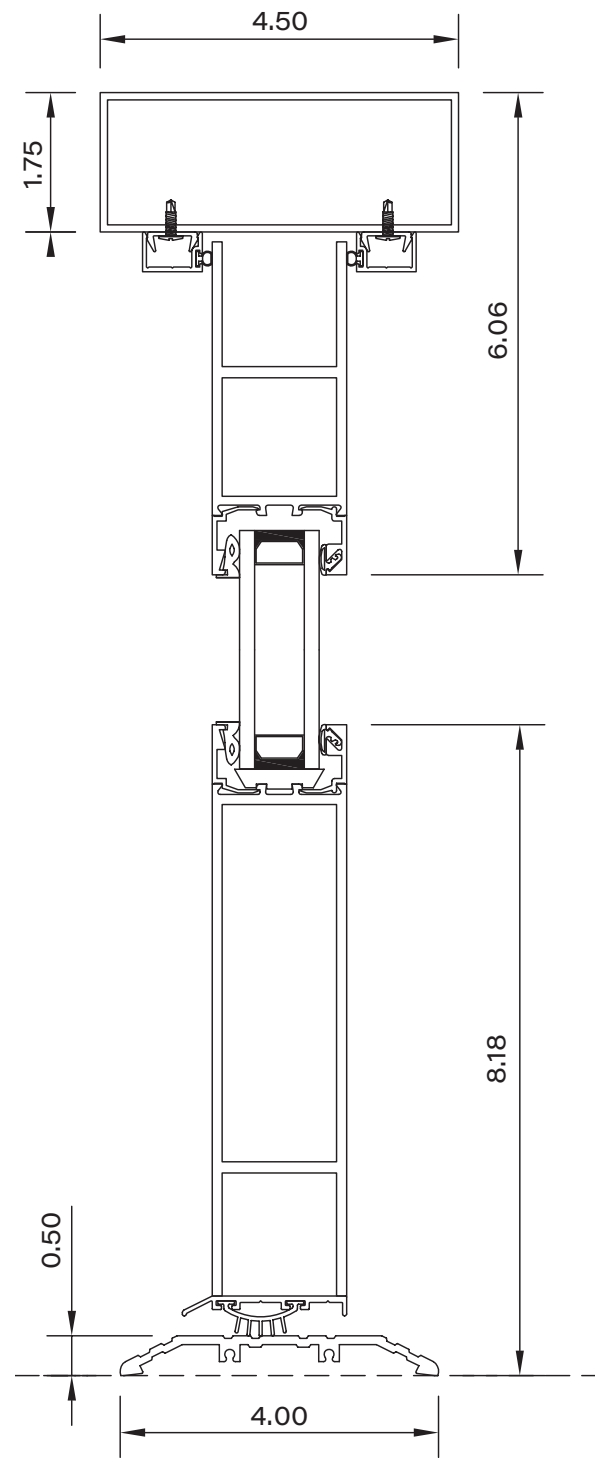


narrow stile at swing out

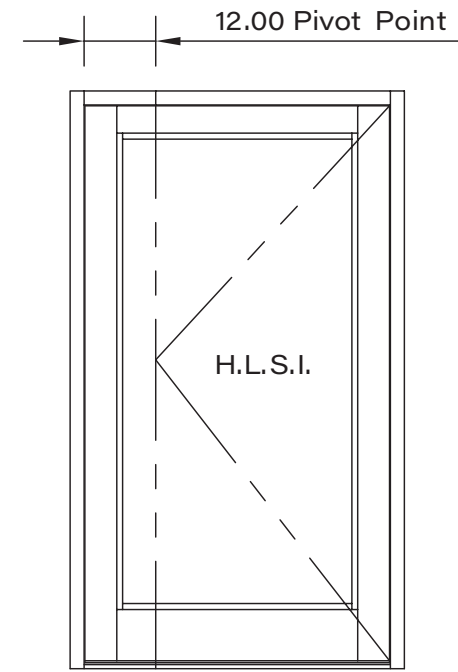


narrow stile swing-in condition

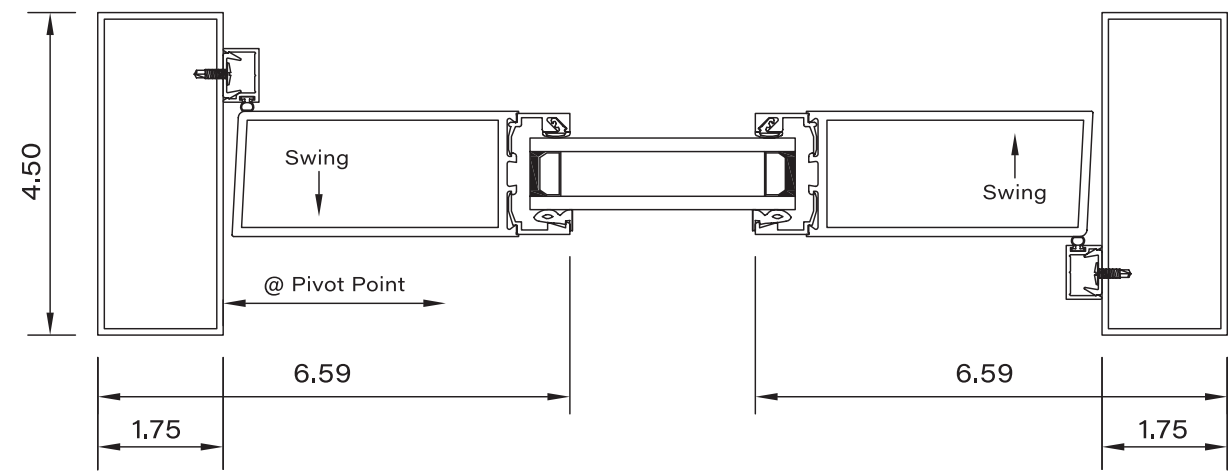
Series 980 Pivot Door



medium stile at swing in

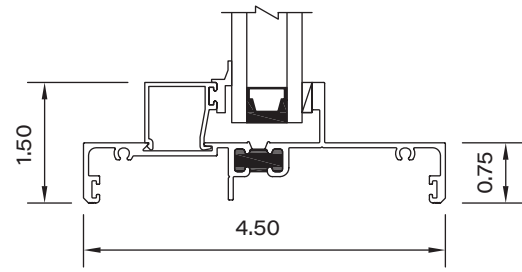


multiple pivot points are available

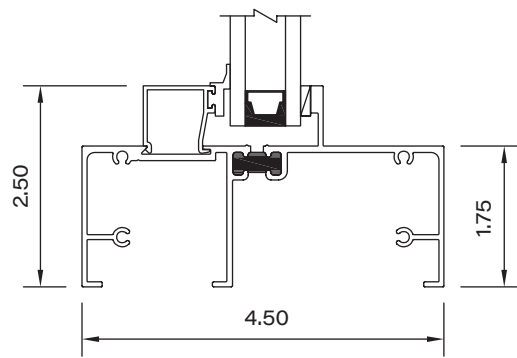


swing in - floor plan view

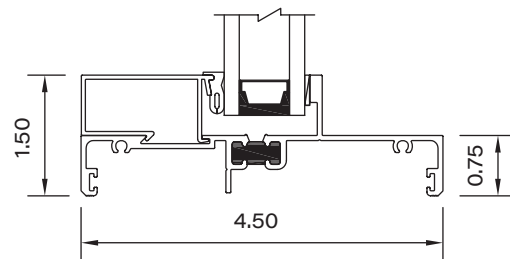
Series 600 Window Wall



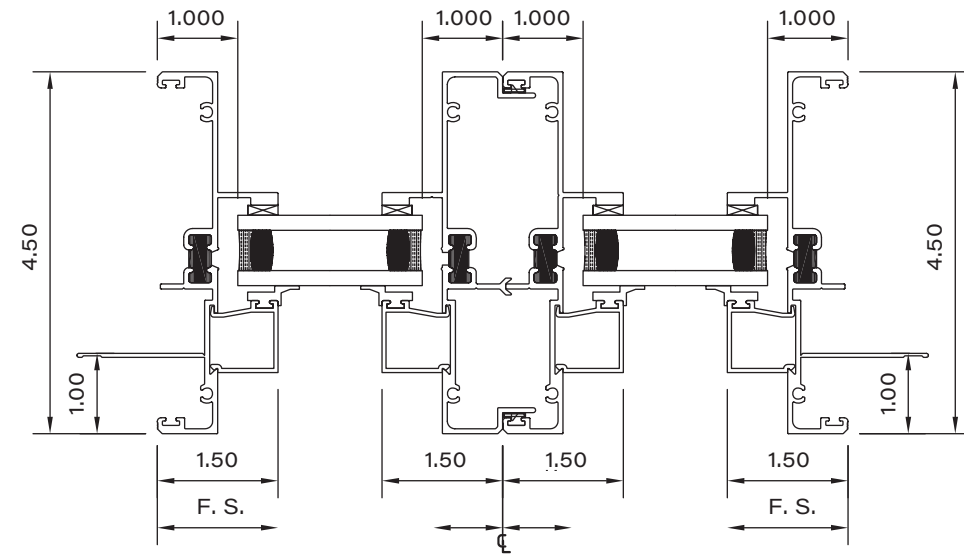
standard sill



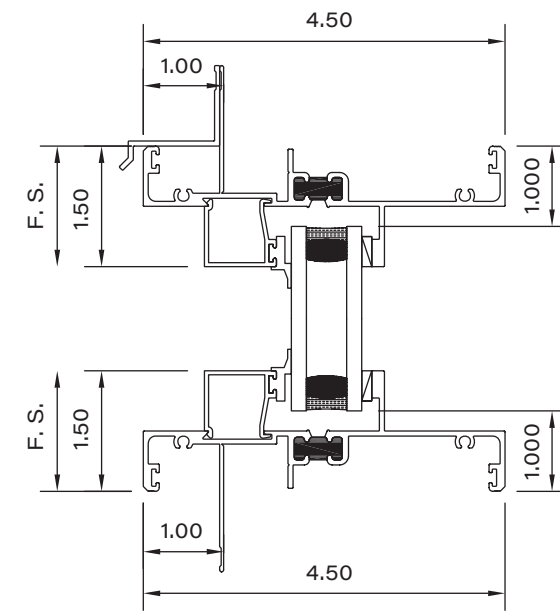
highbase sill



standard sill with flush stop

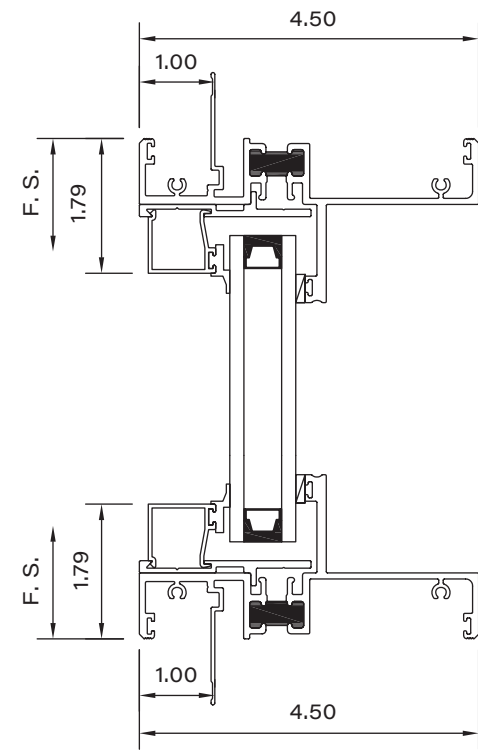


section at jambs

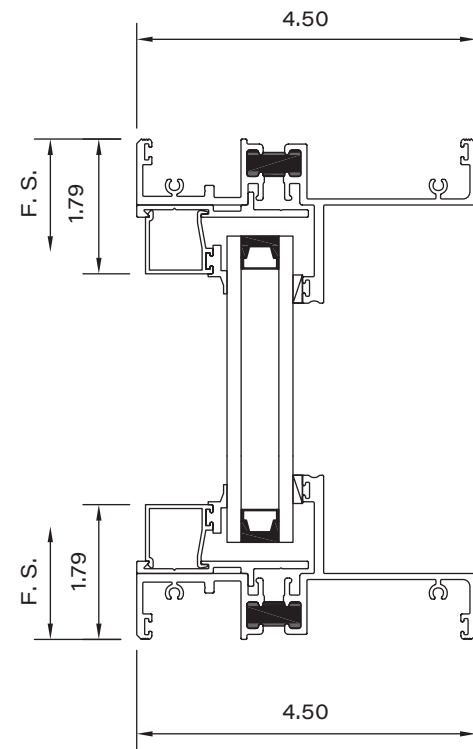


section at head/sill

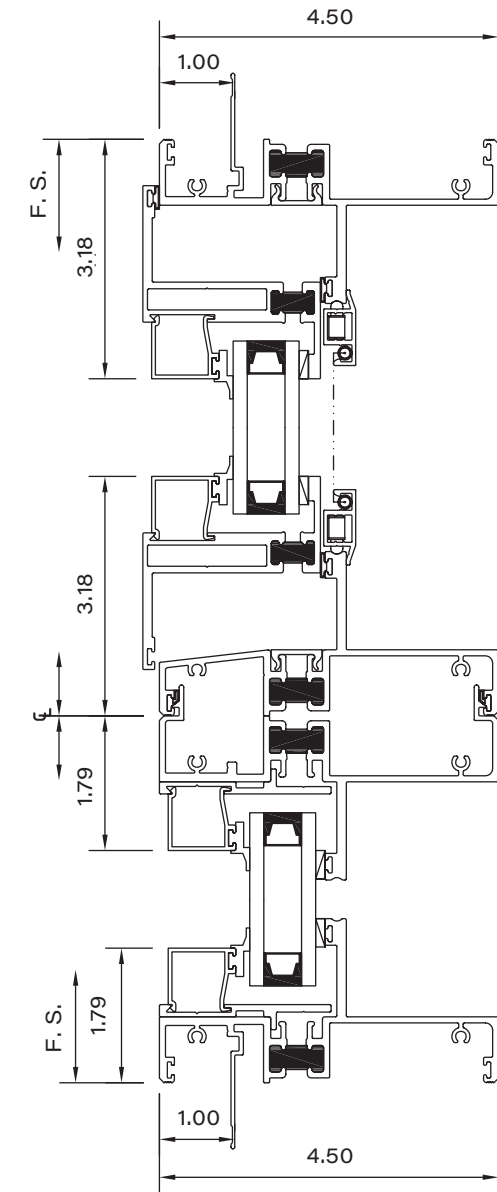
Series 670 Hinged Window Line



fixed vertical section
1" nail-fin frame

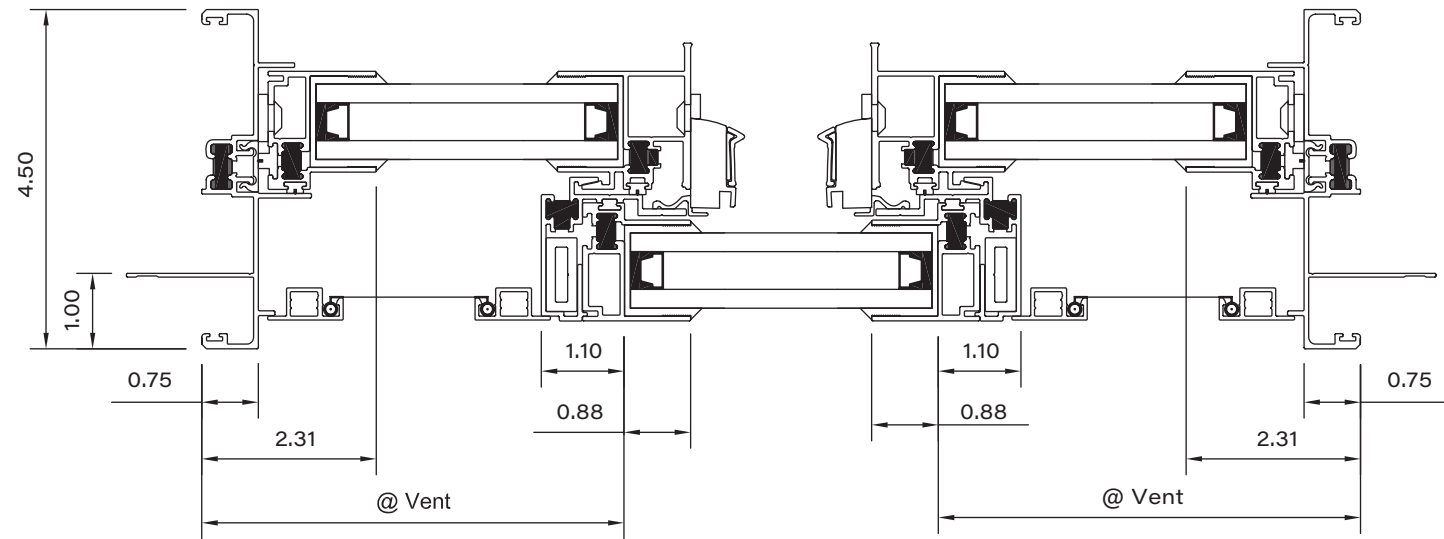


fixed vertical section
equal leg block frame

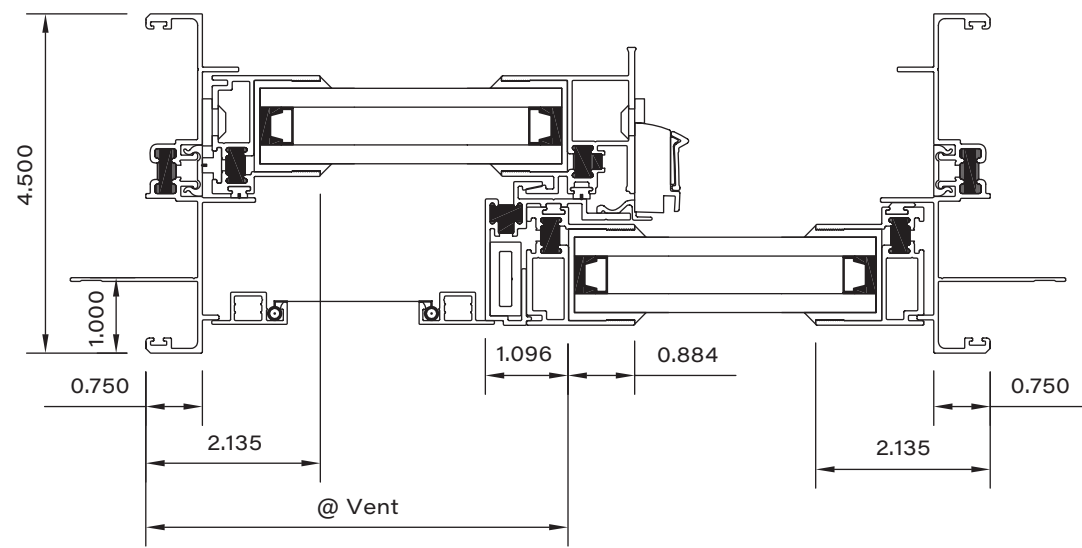


hinged over fixed vertical section
1.00" nail-fin frame

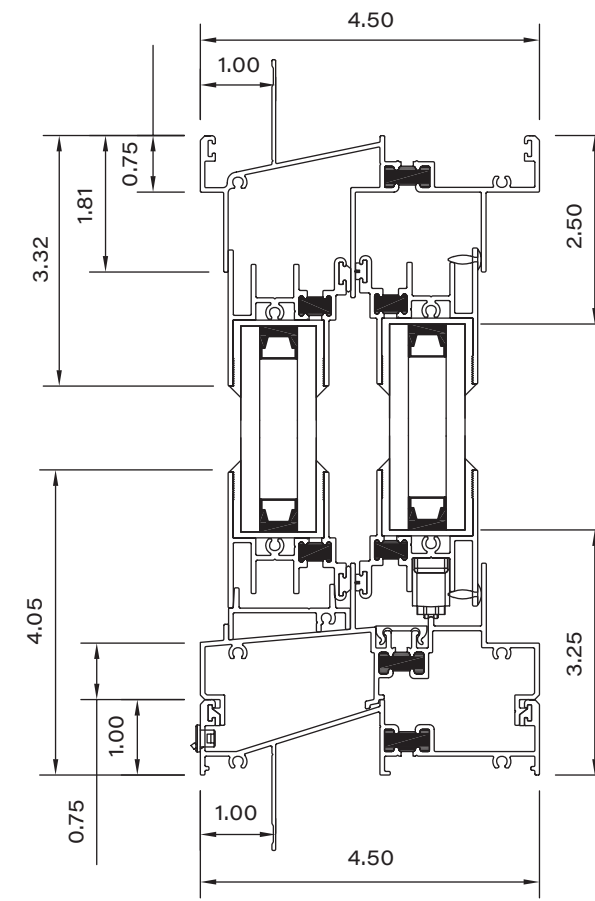
Series 610 Single-Hung and 620 Sliding Window



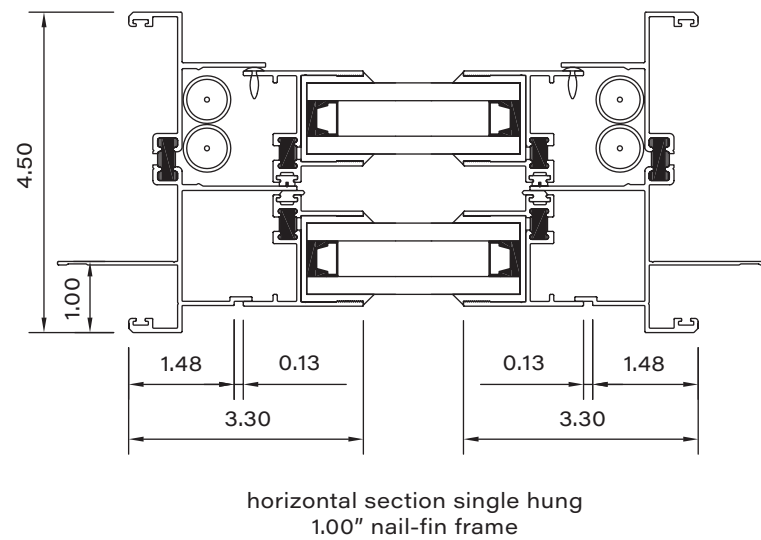
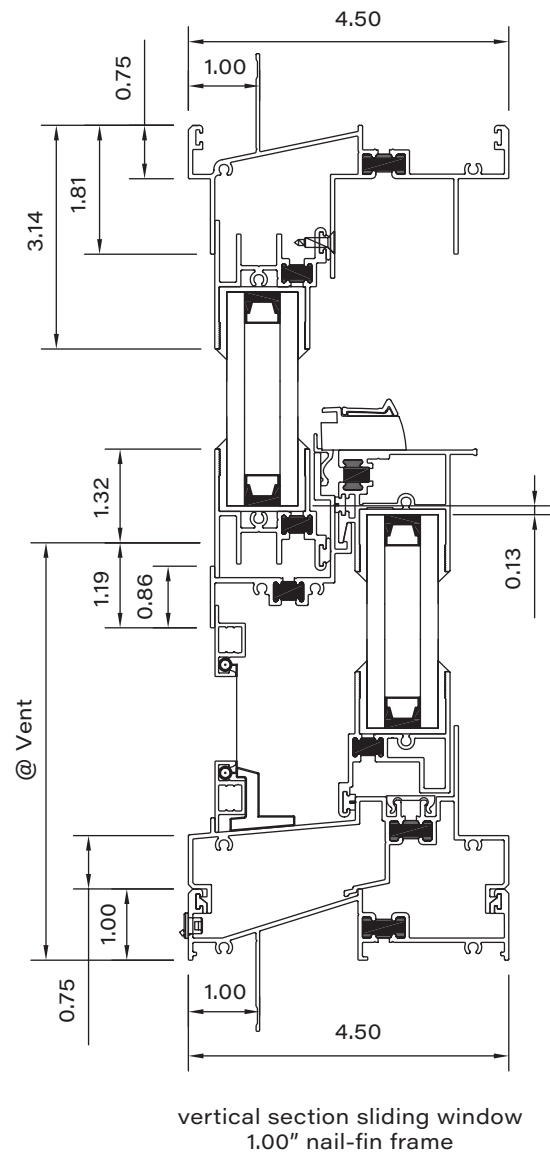
horizontal section XOX slider
1.00" nail-fin frame



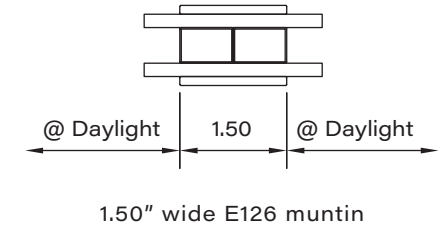
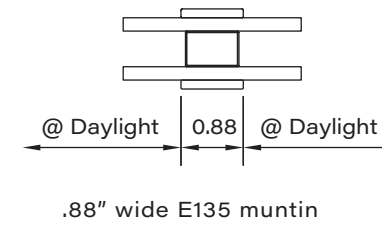
horizontal section XO slider
1.00" nail-fin frame



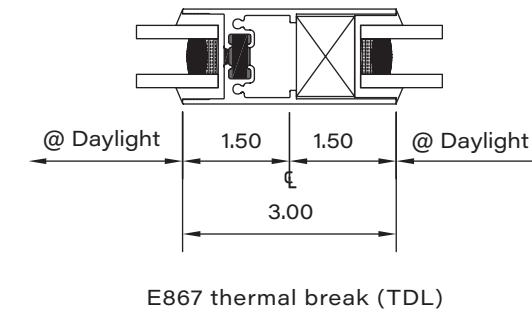
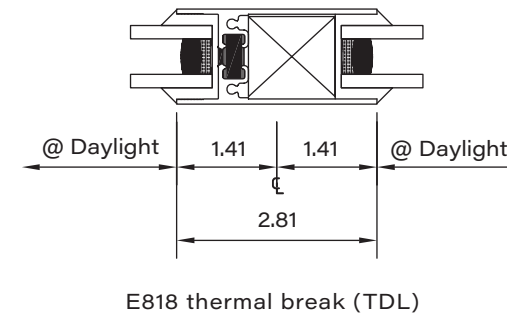
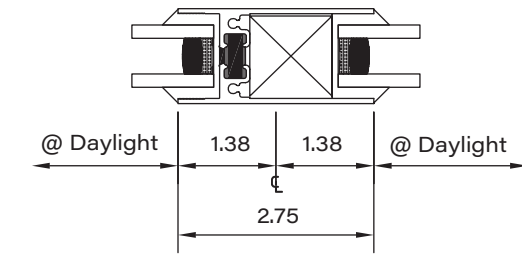
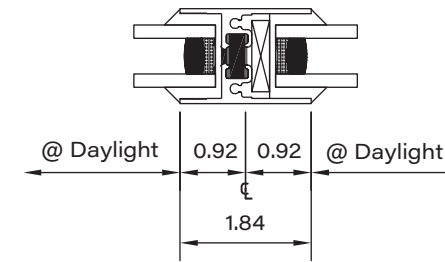
vertical section sliding window
1.00" nail-fin frame



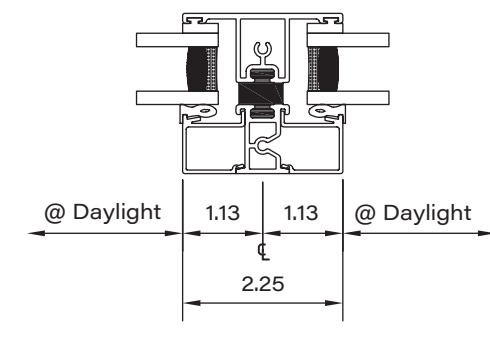
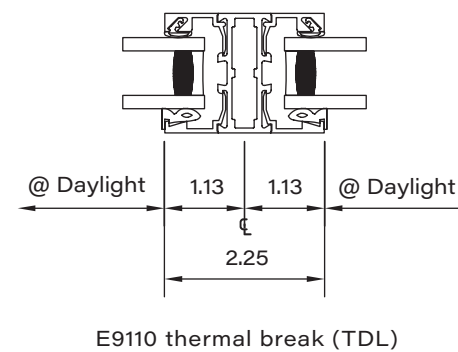
simulated divided lite Series 600, 610, 620, 670, 900 & 980



true divided lite Series 600 Multi-Slide Door & Sliding Glass Door



true divided lite Series 900 Hinged Door, Series 980 Pivot Door & Series 9500 Bi-Fold Door



Series 900 Hinged Door & Series 980 Pivot Door

Series 9500 Bi-Fold Door

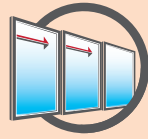
Product Families

Classic Line

High-quality disappearing glass walls and windows that combine exceptional performance with clean design.

Doors

Multi-Slide Door



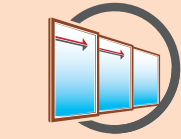
Series 600
Multi-Slide Stacking & Pocketing Door
(Window Option Available)

Sliding Glass Door



Series 600
Sliding Glass Door
(Window Option Available)

Wood Clad Multi-Slide Door



Series 2600
Multi-Slide Stacking & Pocketing Door

Bi-Fold Door



Series 9500
Bi-Fold Door
(Window Option Available)

Hinged Door



Series 900
Hinged Door

Pivot Door



Series 980
Pivot Door

Windows

Window Wall



Series 600
Window Wall

Fixed Window



Series 620/670
Fixed Window

Hinged Windows



Series 670
Casement



Series 670
Awning



Series 670
Hopper

Operating Windows



Series 610
Single-Hung



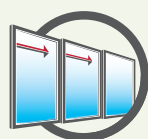
Series 620
Sliding Window

Performance Line

Our Series 7000 family of moving glass walls and windows address energy and structural requirements while promoting contemporary design.

Doors

Multi-Slide Door



Series 7600
Multi-Slide Stacking & Pocketing Door
(Window Option Available)

Sliding Glass Door



Series 7650
Sliding Glass Door
(Window Option Available)

Bi-Fold Door



Series 7950
Bi-Fold Door
(Window Option Available)

Hinged Door



Series 7900
Hinged Door

Pivot Door



Series 7980
Pivot Door

Windows

Window Wall



Series 7630
Window Wall

Fixed Window



Series 7615/7625/7675
Fixed Window

Hinged Windows



Series 7670
Casement



Series 7660
Awning



Series 7680
Hopper

Operating Windows



Series 7610
Single-Hung



Series 7620
Sliding Window

Simulated Steel Line

Energy-smart, design-forward aluminum doors and windows that look like steel but are far more affordable.

Doors

Multi-Slide Door



Series 7600s
Multi-Slide Stacking & Pocketing Door
(Window Option Available)

Sliding Glass Door



Series 7650s
Sliding Glass Door
(Window Option Available)

Bi-Fold Door



Series 7950s
Bi-Fold Door
(Window Option Available)

Hinged Door



Series 7900s
Hinged Door

Pivot Door



Series 7980s
Pivot Door

Windows

Window Wall



Series 7630s
Window Wall

Hinged Windows



Series 7660s
Awning



Series 7670s
Casement

Aluminum Frame Finishes

Bronze Anodized

Satin Anodized

White

Navajo White

Stonish Beige

Cinnamon Toast

Warmtone

Bison Beige

Autumn Night

Briar

Hillside Bronze



Design Better



Series7000 190114